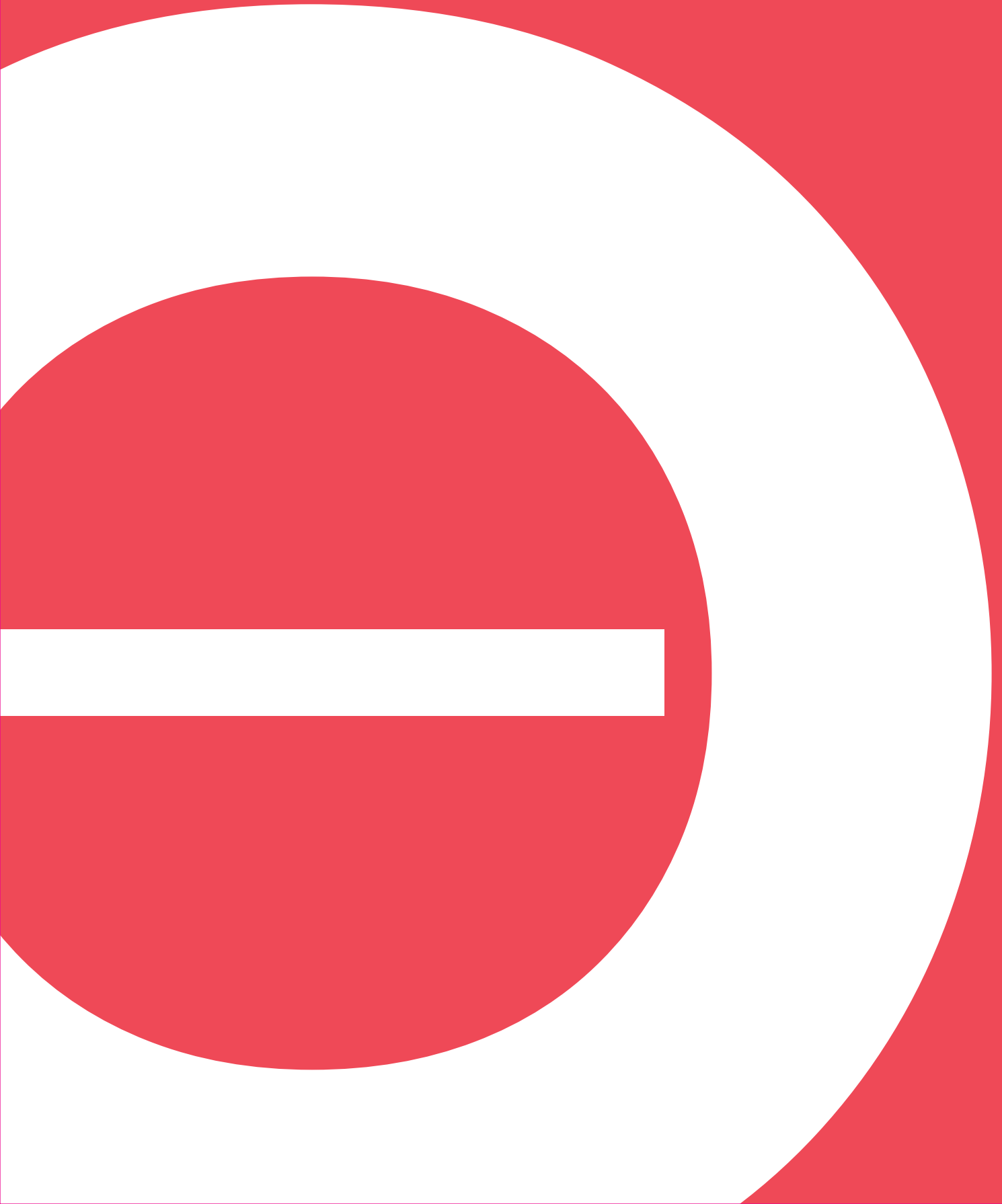
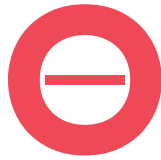


PERFOTUBE®





Line System

With the Line System, you can achieve easy and stepless horizontal adjustment. The system also gives you access to a wide range of options, such as illuminated shelves.

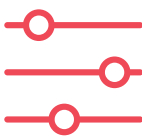
When should you opt for the Line System?

The Line System is suitable for a variety of retail applications, from sports products and shoes through to presentation walls for jewellery. Its ease of use and competitive price make this system a popular choice in the low-end and mid-range segments. The Line System is also frequently used by high-end retailers, for the presentation of telephones and accessories for example.

How the Line System works

The Line System operates on the slatwall principle: MDF panels with an aluminium profile, in which you can hang all kinds of presentation materials. There are numerous accessories available in metal and/or plastic. The major advantage of this horizontal system is stepless adjustment along the width. Vertical adjustment depends on the distance between the profiles. We offer various standard pitches, but can also produce custom panels for you.

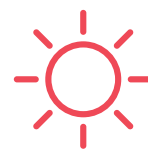
Advantages of the Line System



Stepless horizontal adjustment



Most of the system is concealed



Special options

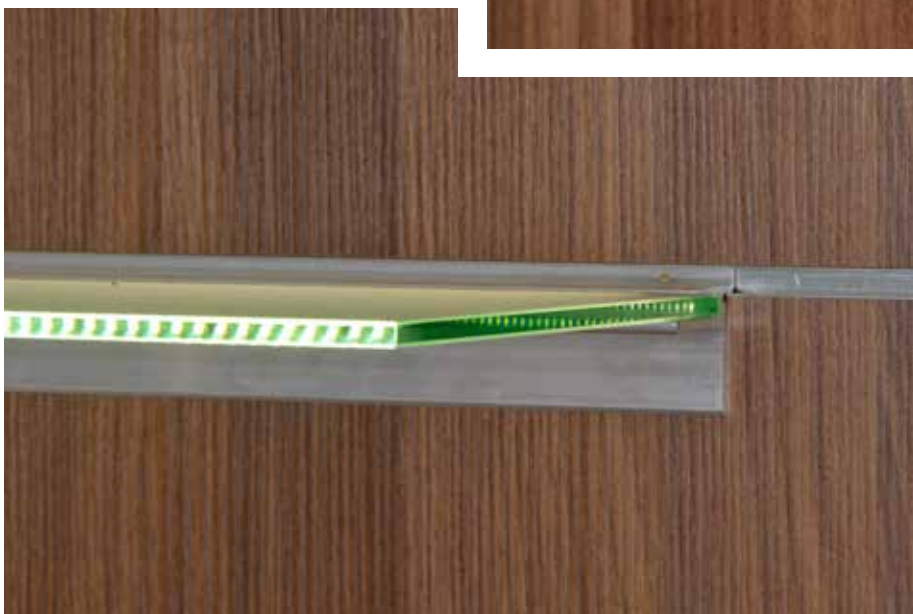
In addition to our standard systems, we also offer custom solutions. With our extensive partner network, we can respond flexibly to your specific wishes and give you exactly what you need!

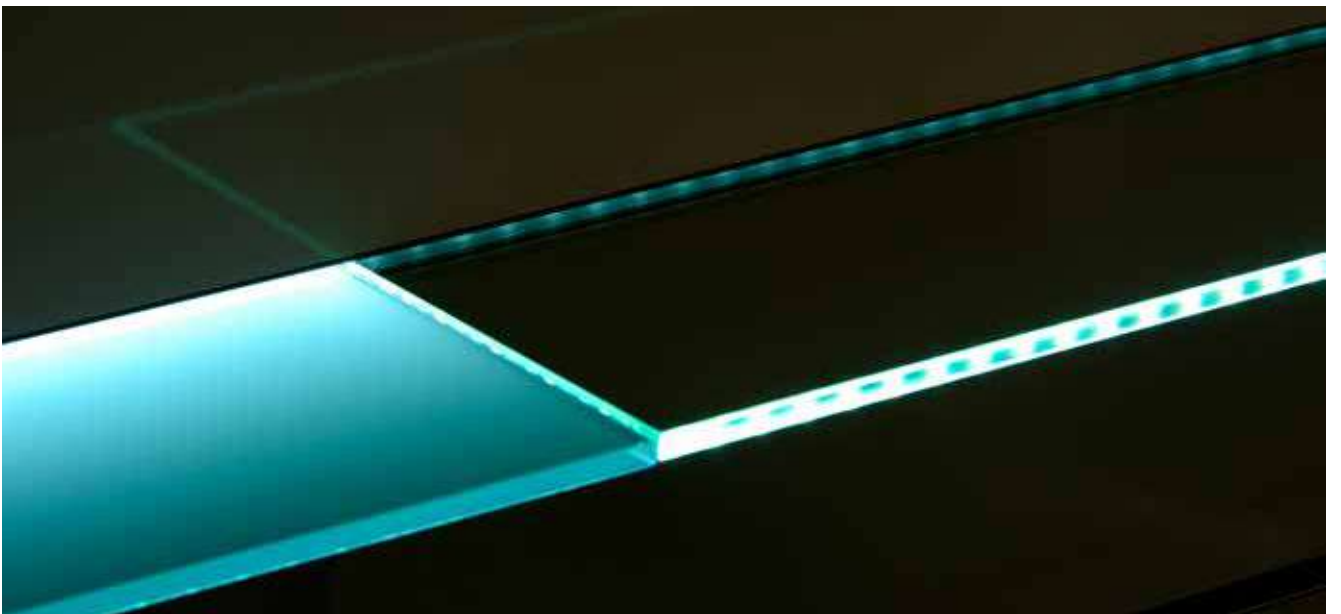
The Line System and LED lighting

Lighting is important for a good presentation. Perfotube offers the option of adding LED lighting to the Line System. Our power profiles are equipped with a low-voltage track system, which is available in 2 widths and comes already mounted into a slatwall panel. This system works with the corresponding glass shelf brackets with LED lighting, illuminating the glass plate from the rear.

We also have a glass shelf profile that allows you to slide glass shelves directly into the profile, with LED lighting integrated into the profile itself, back lighting the glass in a stylish manner.

Get in touch so that we can examine together whether your project is suitable for this system.





ARTICLE NUMBER

65.1001.50	article number
65.1001.50	article group number
65.1001.50	article code
65.1001.50	colour and/or finish

COLOUR CODE OF STANDARD PRODUCTS

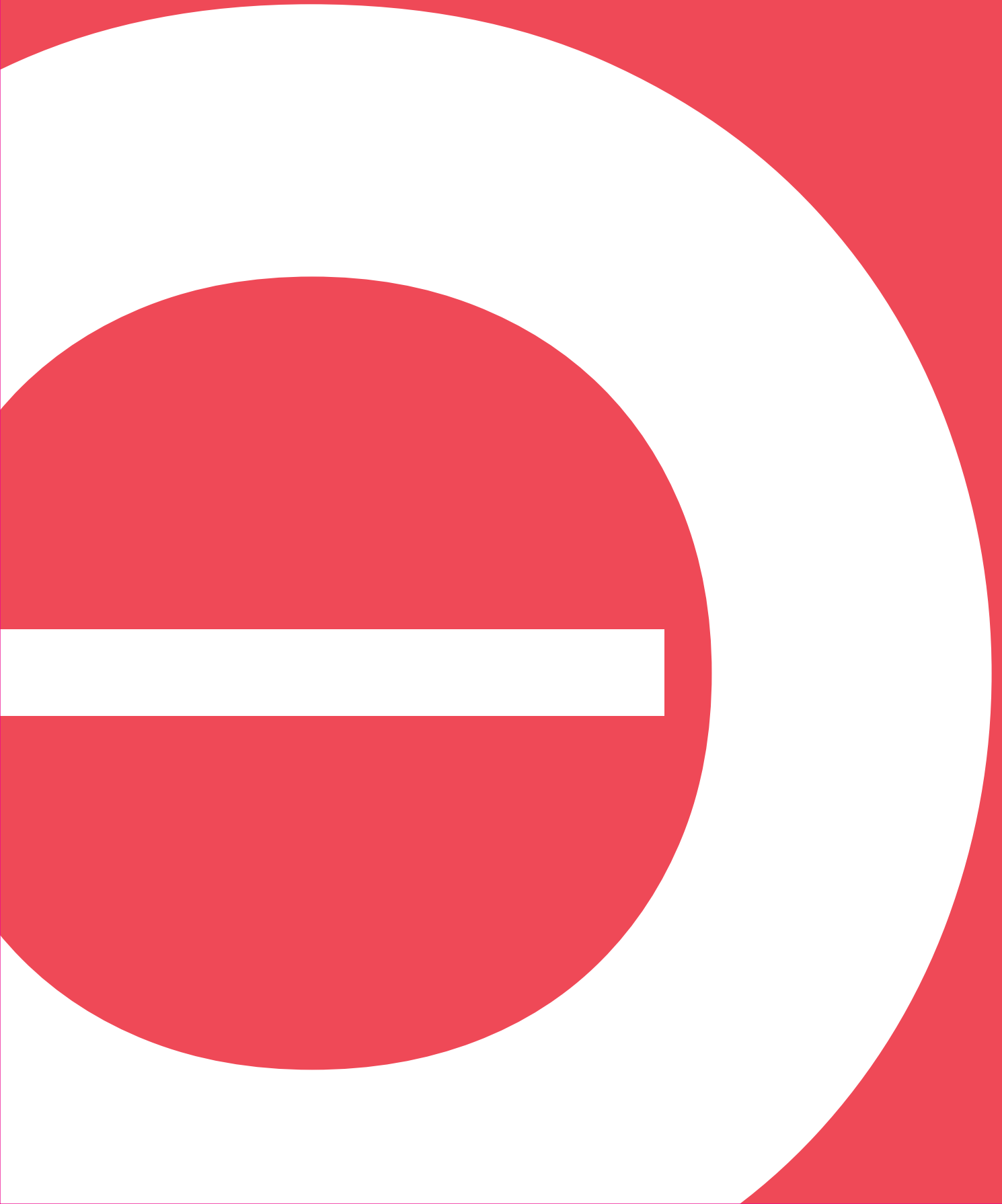
.00	Steel	Bare untreated
.06	Steel	Chrome-plated
.09	Steel	White
.10	Aluminium	Bare
.12	Aluminium	Matt silver anodised
.91	Aluminium	Black anodised
.30	Plastic	Neutral
.31	Plastic	Black
.32	Plastic	White
.50	MDF	Bare
.62	MDF	Aluminium look
.67	MDF	Grey
.68	MDF	Black
.69	MDF	White

Other colours are available on request; contact us to find out what is possible.

ABBREVIATIONS:	c/c	Centre-to-centre
	mt	Material Thickness
	fo	Flat Oval

LINE system

STANDARD





HMB FINISH

We supply our slatwall panels with an HMB finish as standard. This top layer differs from the usual familiar finishes in interior design, such as melamine and normal HPL. Our HMB has been developed in-house for panel finishing, with special colours and structures. The finish is particularly colour-fast with a perfect shine. The HMB finish gives wooden structures a natural authenticity. The panels are highly resistant to temperature changes, so they are not sensitive to air conditions like you find in air-conditioned rooms.

Given that we have developed the HMB finish ourselves, we are flexible and can respond quickly to market requirements. There are approximately 40 different versions available with this unique quality. And for every finish we have matching edge banding.

You will find a number of HMB finish options on our colour chart. If you are looking for a different colour or finish, contact us to find out what is possible.

There may be minor differences between the original colours and the colours shown here for printing reasons. We will happily send you a colour sample of your desired finish on request.



MAPLE



ANDERSEN PINE



LIGHT BEECH



COMINA ASH



CRONOS OAK



VOSGES OAK



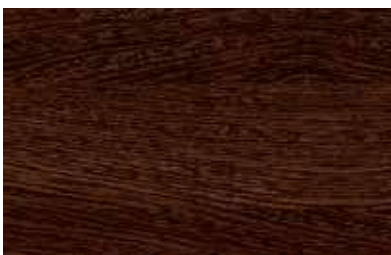
FINNISH BIRCH



IBSEN



PEAR WHITE



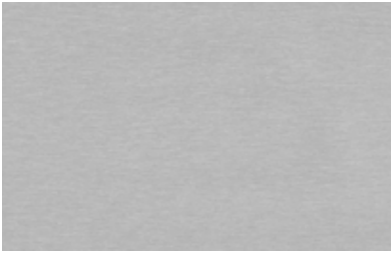
SIMBA WENGE



WALNUT



**OTHER WOOD STYLES
ON REQUEST**



ALU BRUSHED



ALU SILVER



CRYSTAL WHITE



WHITE PEARL



BEIGE



BEIGE 0048054_02278



GREY



HEDEBY



HAY



LAVA BROWN



MOSS



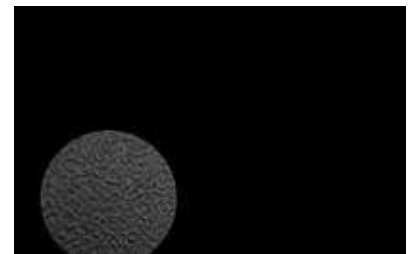
POWDER BLUE



RED



ANTHRACITE



BLACK PEARL



VOLCANIC BLACK



FINE CONCRETE



INDUSTRY



Product **MDF 101.8 MM**
 Version **MDF slatwall panel, with 23 notches for power profiles. Made up of 2 connectable parts 1221 mm high.**
 c/c groove **101.8 mm**

Material	Height	Width	Depth	Article
MDF bare	2442	1200	19	65.1001.50
MDF alu look	2442	1200	19	65.1001.62
MDF grey	2442	1200	19	65.1001.67
MDF black	2442	1200	19	65.1001.68N
MDF white	2442	1200	19	65.1001.69
MDF anthracite	2442	1200	19	65.1001.70



Product **MDF 152.6 MM**
 Version **MDF slatwall panel, with 15 notches for power profiles. Made up of 2 connectable parts 1221 mm high.**
 c/c groove **152.6 mm**

Material	Height	Width	Depth	Article
MDF bare	2442	1200	19	65.1002.50
MDF alu look	2442	1200	19	65.1002.62
MDF grey	2442	1200	19	65.1002.67
MDF black	2442	1200	19	65.1002.68N
MDF white	2442	1200	19	65.1002.69

system 50 



Product **BACK PANEL SLATWALL**
 Version **Back panel slatwall hookable into an upright with H-perforation.**
 Material **MDF White + Aluminium power profiles**

Height	Width	Article
400	665	65.1010.69
400	1000	65.1011.69
400	1250	65.1012.69

DIFFERENT SIZES

The standard panels are 1200 mm wide and 2442 mm high. But we can also help you if you require different sizes. Just let us know the height and width you require.

If you want to change the appearance of the presentation, you can opt for more or fewer grooves, or for grooves that are closer together or further apart.

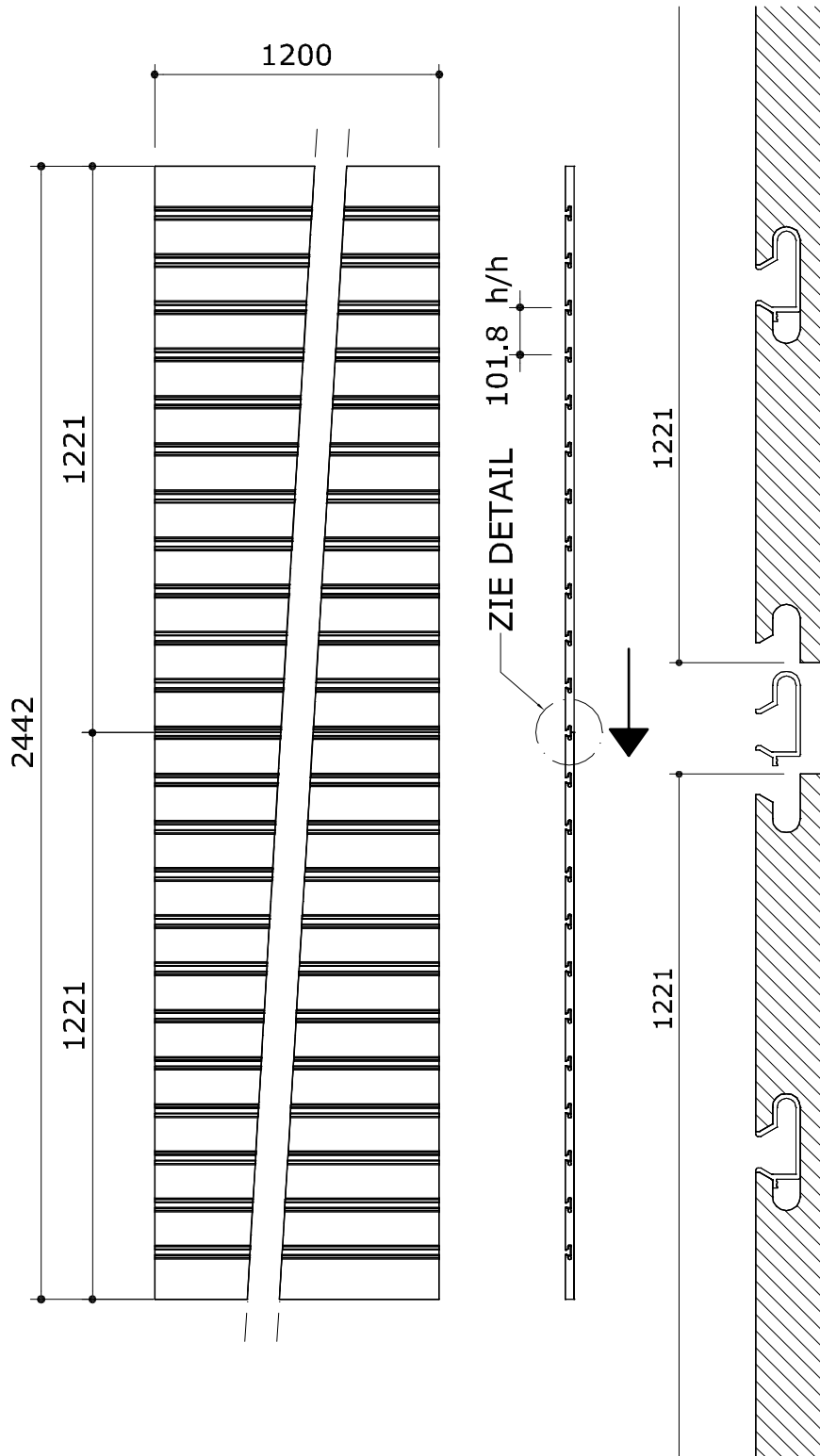
The c/c sizes that can be milled are set out below:

- 76.3 mm
- 88 mm
- 101.8 mm
- 152.6 mm
- 203.5 mm
- 244.2 mm
- 305.3 mm

Contact us for more information.



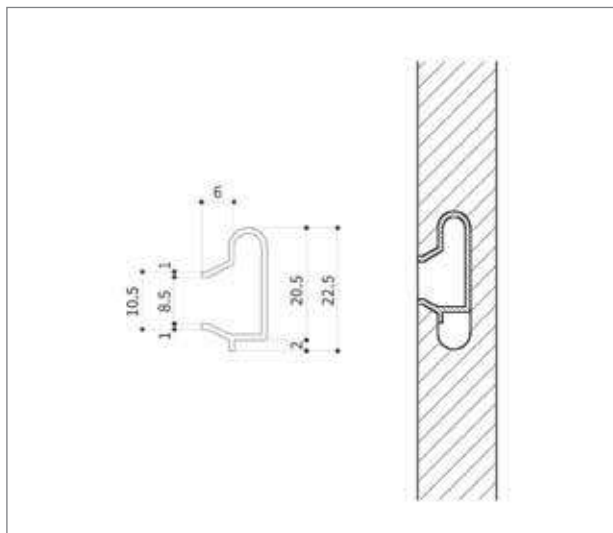
STANDARD SIZES





POWER PROFILE

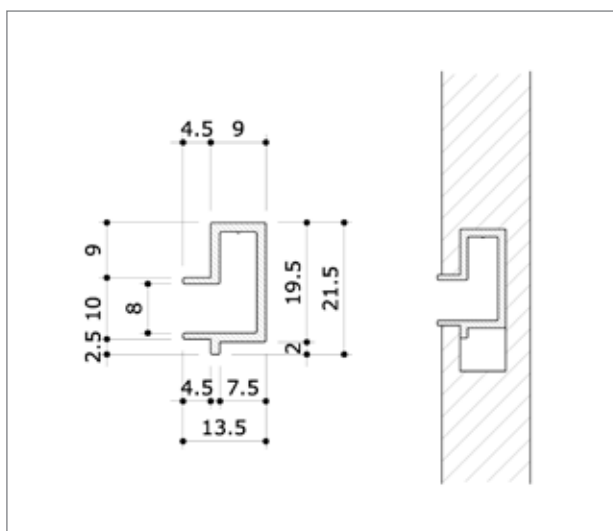
The slatwall power profile is only delivered with the slatwall panels set out on the previous pages. The rounded shape of the corners helps to distribute forces better and reduce the likelihood of the power profile breaking out. The power profile makes the panel stronger than most profiles on the market. The power profiles come in bare aluminium as standard, but can also be supplied in black anodised aluminium on request or in plastic in a variety of colours, giving the panel a completely different look.



Product **STANDARD PROFILE**

Version This profile enables you to mill the panels yourself, so you can determine the c/c size of the grooves yourself.

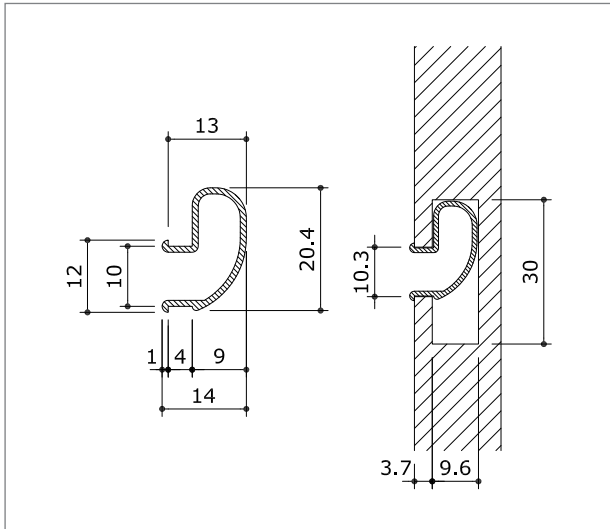
Material	Length	Article
Bare aluminium	2400	65.1201.10
Bare aluminium	6000	65.1202.10
Aluminium black anodised	2400	65.1201.91



Product **CLICK PROFILE**

Version This profile enables you to mill the panels yourself, so you can determine the c/c size of the grooves yourself. This profile can be clicked into the recess if the panels have already been assembled.

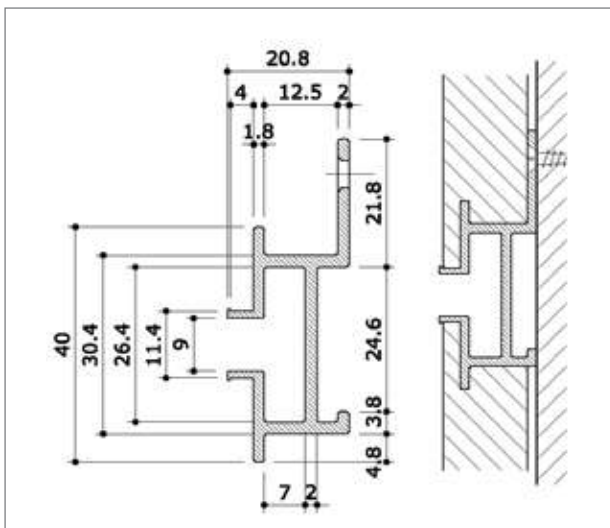
Material	Length	Article
Bare aluminium	1200	65.1205.10



Product **NOVILINE PROFILE**

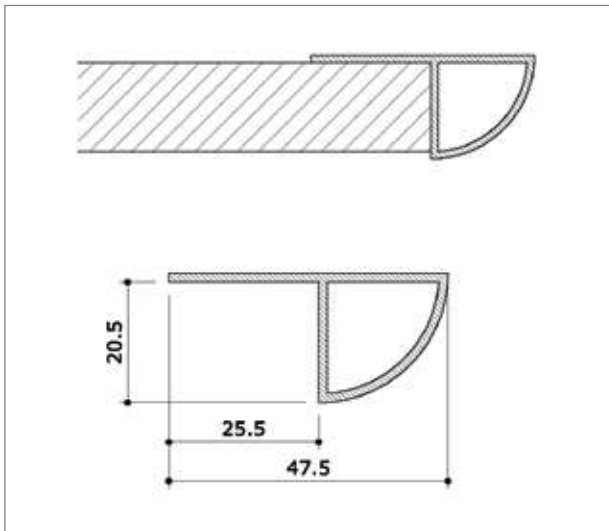
Version Heavy-duty slatwall profile. The profile itself is fixed to the wall, making the wall itself the weight-bearing part, not the panel. You can also determine the groove distance yourself based on the height of the wood to be placed in the middle. This also enables you to work with fewer vertical seams.

Material	Length	Article
Bare aluminium	6000	65.1501.10



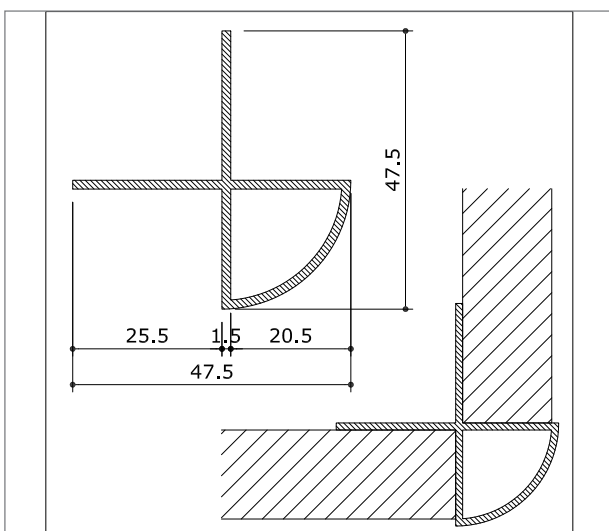
Product **END PROFILE ROUNDED**
 Version Quarter-circle profile. To be used as a finishing cap for a complete wall.

Material	Length	Article
Aluminium matt silver	2500	65.1301.12

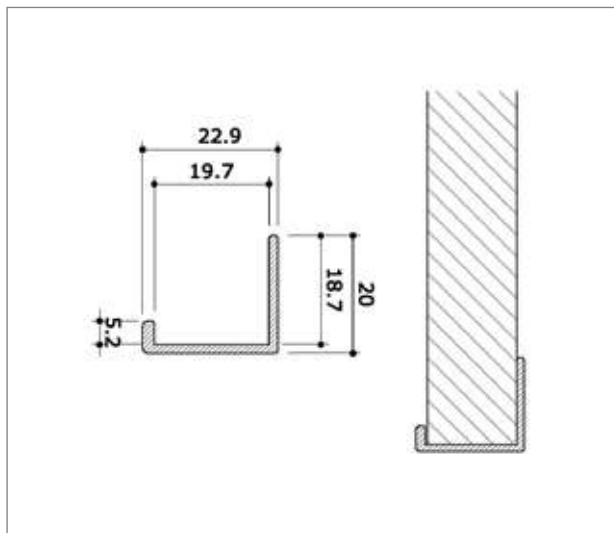


Product **CORNER PROFILE ROUNDED**
 Version Quarter-circle profile. To be used as a corner finish for two walls.

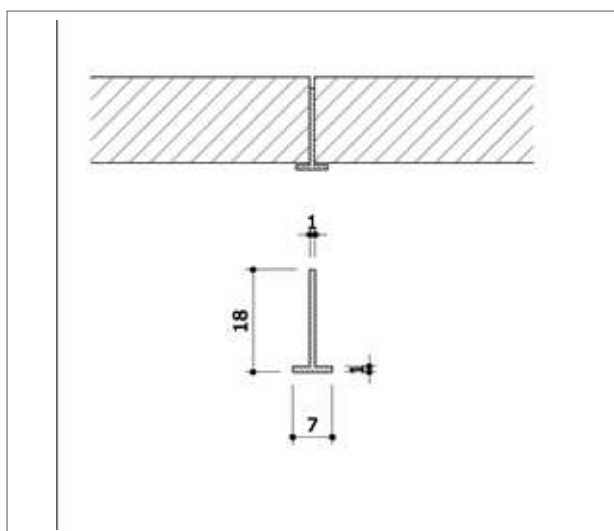
Material	Length	Article
Aluminium matt silver	2500	65.1302.12



Product	END PROFILE FLAT		
Version	To be used as a finishing cap for a complete wall.		
Material	Aluminium matt silver	Length	2500
		Article	65.1337.12

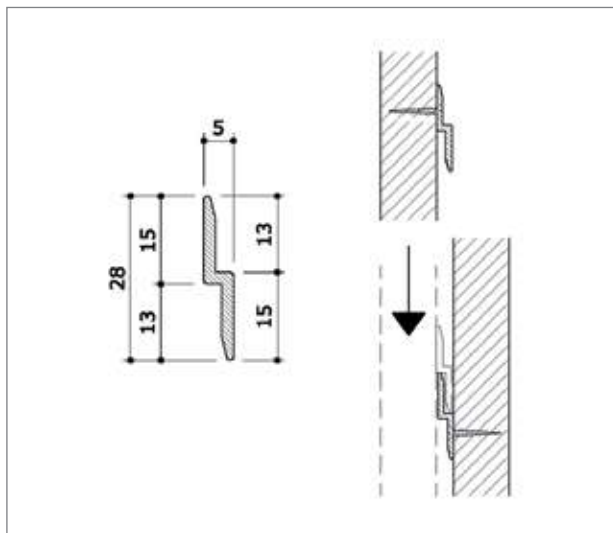


Product	T-PROFILE		
Version	T-model profile, to be used between two panels.		
Material	Aluminium matt silver	Length	2500
		Article	65.1304.12



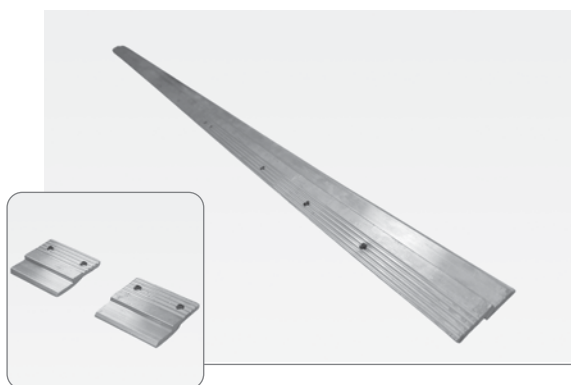
Product **HOOK PROFILE**
 Version **Mounting profile. Double hook profile for attaching a panel to the wall. Thickness 5 mm.**

Material	Length	Article
Bare aluminium	2400	65.1306.10



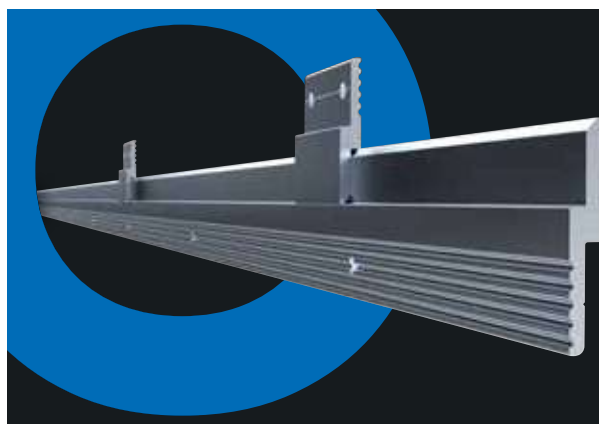
Product **HOOK PROFILE CLIP**
 Version **Aluminium clip with holes c/c 40 mm.**
 Material **Bare aluminium**

Length	Thickness	Article
50	6	65.1308.10
50	7	65.1312.10

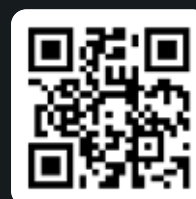


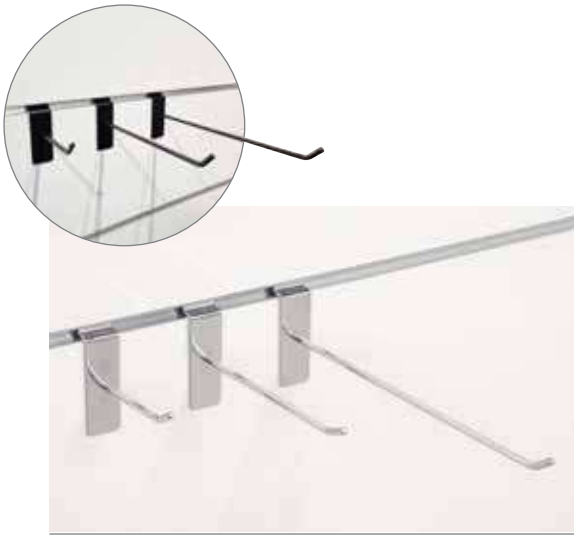
Product **HOOK PROFILE**
 Version **Aluminium hook profile with holes c/c 150 mm.**
 Material **Bare aluminium**

Length	Thickness	Article
2000	6	65.1309.10
3000	6	65.1310.10
6000	6	65.1313.10



SCAN THE QR CODE TO SEE HOW THE HOOK PROFILE WORKS





Product	PRESENTATION HOOK		
Version	Single presentation hook turned 20° at the end.		
Material	Chrome-plated steel		
	Diameter	Length	Article
	Ø5	80	65.1601S.06
	Ø5	100	65.1600S.06
	Ø5	150	65.1602S.06
	Ø5	200	65.1608S.06
	Ø5	250	65.1603S.06
	Ø5	300	65.1607S.06
Material	Black steel		
	Diameter	Length	Article
	Ø5	100	65.1600.08M
	Ø5	150	65.1602.08M
	Ø5	200	65.1608.08M
	Ø5	250	65.1603.08M
	Ø5	300	65.1607.08M



Product	SINGLE PRESENTATION HOOK T		
Version	Single presentation hook turned 20° at the end. With T-piece for label holder.		
Material	Chrome-plated steel		
	Diameter	Length	Article
	Ø5	50	65.1670.06
	Ø5	100	65.1671.06
	Ø5	150	65.1672.06
	Ø5	200	65.1673.06
	Ø5	250	65.1674.06



Product	DOUBLE PRESENTATION HOOK		
Version	Double blister pack hook, turned 20° at the end.		
Material	Chrome-plated steel		
	Diameter	Length	Article
	Ø4	50	65.1650.06
	Ø4	100	65.1651.06
	Ø4	150	65.1653.06
	Ø4	200	65.1654.06
	Ø4	250	65.1656.06
	Ø4	300	65.1657.06



Product	DOUBLE PRESENTATION HOOK BLACK		
Version	Double blister pack hook, turned 20° at the end.		
Material	Black steel		
	Diameter	Length	Article
	Ø4.5 double	100	65.1642S.08M
	Ø4.5 double	150	65.1643S.08M
	Ø4.5 double	200	65.1644S.08M
	Ø4.5 double	250	65.1646S.08M
	Ø4.5 double	300	65.1647S.08M



Product	DOUBLE PRESENTATION HOOK T		
Version	Double blister pack presentation hook, turned 20° at the end. With T-piece for label holder.		
Material	Chrome-plated steel		
	Diameter	Length	Article
	Ø4	50	65.1680.06
	Ø4	100	65.1681.06
	Ø4	150	65.1682.06
	Ø4	200	65.1683.06
	Ø4	250	65.1684.06



Product	LABEL HOLDER		
Version	Holder for price labels. Clicks onto the T-piece of T presentation hooks.		
Material	Clear plastic		
	Height	Width	Article
	26	44	66.0053.30
	26	50	66.0054.30
	40	45	66.0056.30
	53	40	66.0055.30



Product	ANTI-THEFT HOOK SINGLE	
Version	Single hook with theft protection. With product security and protection against unhooking. Includes price card holder. Key ordered separately.	
Material	Chrome-plated steel / white plastic	
	Length	Article
	230	65.1694.06



Product **ANTI-THEFT HOOK KEY**
 Version Key for the anti-theft hook.
 Material White plastic

Article
65.1690.32



Product **PADEL RACKET HOLDER**
 Version Holder for 1 padel racket or for two padel rackets.
 Material Galvanised steel

Width	Depth		Article
140	58	Single	65.1990.05
140	115	Double	65.1991.05



Product **MONO WOOD HOLDER**
 Version Triangular holder for 18 mm wood, sold individually.
 Material Bare steel

Width	Length	Article
92	100	65.1762.00
Material Chrome-plated steel		
92	100	65.1762.06
Material White steel		
92	100	65.1762.09
Material Black steel		
92	100	65.1762.08



Product **HEAVY-DUTY WOOD HOLDER**
 Version Bracket for 19 mm thick wooden shelves, heavy-duty version, sold individually.
 Material Bare aluminium

Width	Depth	Article
75	93	65.1766.10
Material Black aluminium		
75	93	65.1766.91



Product **TURNED BRACKET**
 Version Turned bracket for a wooden or glass shelf, sold in pairs (L+R).
 Material **Chrome-plated steel**

Material		Article
Length	230	65.1701.06
	280	65.1702.06
	330	65.1703.06
	380	65.1704.06
Material		Article
White steel	230	65.1701.09
	280	65.1702.09
	330	65.1703.09
	380	65.1704.09
Material		Article
Black steel	230	65.1701.08M
	280	65.1702.08M
	330	65.1703.08M
	380	65.1704.08M



Product **BRACKET ADJUSTABLE**
 Version Turned bracket for screwing at various angles, sold in pairs (L+R).
 Material **White steel**

Material		Article
Length	200	65.1751.09
	250	65.1752.09
	300	65.1753.09
	350	65.1754.09
	400	65.1755.09



Product **MONO GLASS HOLDER**
 Version Triangular holder for 6-8 mm glass, sold individually.
 Material **Bare steel**

Material		Article
Width	92	65.1761.00
	100	
Material		Article
Chrome-plated steel	92	65.1761.06
	100	
Material		Article
White steel	92	65.1761.09
	100	

Product	GLASS HOLDER		
Version	Bracket for 8 mm glass, sold individually. Note that at least two pieces are needed per shelf.		
Material	Bare aluminium		
	Width	Depth	Article
	50	43	65.1763.10
Material	Aluminium matt silver		
	50	43	65.1763.12
Material	Aluminium matt silver, with fixing screw		
	50	43	65.1770.12
Material	Black aluminium		
	50	43	65.1763.91
Material	Aluminium black, with fixing screw		
	50	43	65.1770.91



Product	HEAVY-DUTY GLASS HOLDER		
Version	Bracket for 8 mm glass, heavy-duty version, sold individually.		
Material	Bare aluminium		
	Width	Depth	Article
	75	93	65.1764.10
Material	Aluminium matt silver		
	75	93	65.1764.12



Product	HANGING BRACKET			
Version	Hanging bracket flat oval 30x15.			
Material	Chrome-plated steel			
	Dimensions	Width	Depth	Article
	30x15	600	250	65.1806.06
	30x15	600	330	65.1800.06



Product	FRONT PRESENTATION		
Version	Straight arm for clothes hangers.		
Material	Chrome-plated steel		
	Dimensions	Depth	Article
	30x15	300	65.1910.06



Product	STEPPED ARM			
Version	Stepped arm for clothes hangers.			
Material	Chrome-plated steel			
	Dimensions	Height	Depth	Article
	30x15	190	300	65.1952.06



Product	SLOPING ARM		
Version	Sloping arm for clothes hangers, with 8 of 9 balls.		
Material	Chrome-plated steel		
	Dimensions	Depth	Article
	30x15	300	65.1950.06
	30x15	400	65.1951.06



Product	BAG PRESENTATION STRAIGHT		
Version	Straight arm with 5 hooks.		
Material	Chrome-plated steel		
	Diameter	Depth	Article
	30x15	300	65.1920.06



Product **BAG PRESENTATION SLANTED**
 Version **Sloping arm with 5 hooks.**
 Material **Chrome-plated steel**

Dimensions	Depth	Article
30x15	300	65.1922.06



Product **TRUMPET HOOK**
 Version **Sock/tie holder extendable.**
 Material **Chrome-plated steel**

Depth	Article
300-540	65.1955.06



Product **TROUSERS HANGER**
 Version **Fixed trousers hanger.**
 Material **Chrome-plated steel**

Width	Depth	Article
400	105	65.2022.06



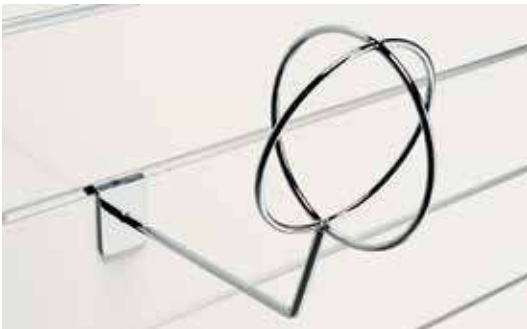
Product **BELT PRESENTATION**
 Version **Set of three presentation bars, each with 20 Ø5 mm pins for presenting belts.**
 Material **Chrome-plated steel**

Width	Depth	Article
595	155/255/355	65.6009.06



Product **ROTATING DISPLAY**
 Version Rotating display for accessories such as chains.
 Material Chrome-plated steel

Height	Diameter	Depth	Article
70	Ø325	465	65.2010.06



Product **HELMET HOLDER**
 Version Helmet presentation made from Ø8 and Ø6 mm wire.
 Material Chrome-plated steel

Height	Width	Depth	Article
230	150	340	65.1935.06



Product **HAT HOLDER**
 Version Hat holder made from Ø6 mm wire.
 Material Chrome-plated steel

Height	Width	Depth	Article
180	160	290	65.1932.06



Product **CAP HOLDER**
 Version Holder for presenting caps, made from 4 mm and 5 mm wire.
 Material Chrome-plated steel

Height	Width	Depth	Article
90	180	280	65.1933.06



Product **HAT PRESENTATION**
 Version Hat presentation with a Ø75 mm support disc.
 Material **Chrome-plated steel**

Diameter	Height	Depth	Article
Ø8	155	200	65.1930.06



Product **CAP HOLDER**
 Version Holder for presenting caps, made from Ø4 mm wire.
 Material **Chrome-plated steel**

Height	Width	Depth	Article
180	90	120	65.1931.06



Product **BALL RING**
 Version Holder for presenting balls.
 Material **Chrome-plated steel**

Diameter	Depth	Article
Ø150	270	65.1901.06



Product **GLASSES PRESENTATION**
 Version Holder for presenting glasses.
 Material **Chrome-plated steel**

Diameter	Width	Depth	Article
Ø5	140	160	65.2030.06



Product **SHOE SHELF PLUS**
 Version Metal shoe shelf with 40 mm high card/price holder.
 Material Ral 9006

Height	Width	Depth	Article
60	250	100	65.1960.02



Product **WIRE SHELF**
 Version Sloping wire shelf with raised edge at the bottom.
 Material Chrome-plated steel

Height	Width	Depth	Article
40	255	360	65.2015.06



Product **WIRE BASKET SLANTED**
 Material Chrome-plated steel

Height	Width	Depth	Article
120-75	610	300	65.2001.06



Product **WIRE BASKET L**
 Material Chrome-plated steel

Height	Width	Depth	Article
89	575	315	65.2002.06



Product	WIRE BASKET M			
Material	Chrome-plated steel			
	Height	Width	Depth	Article
	205	300	300	65.2003.06



Product	WIRE BASKET S			
Material	Chrome-plated steel			
	Height	Width	Depth	Article
	150	305	155	65.2004.06



Product	CLOCK HOOK			
Version	For hanging clocks.			
Material	Chrome-plated steel			
	Height	Width	Depth	Article
	70	25	12	65.1940.06



Product	PAINTING HOOK			
Version	For hanging paintings.			
Material	Chrome-plated steel			
	Height	Width	Depth	Article
	70	26	8	65.1942.06



Product	BACKPLATE		
Version	Chrome base plate. With two Ø5 mm screw holes. For making customer-specific products suitable for the slatwall system.		
Material	Chrome-plated steel		
	Height	Width	Article
	70	26	65.1941.06



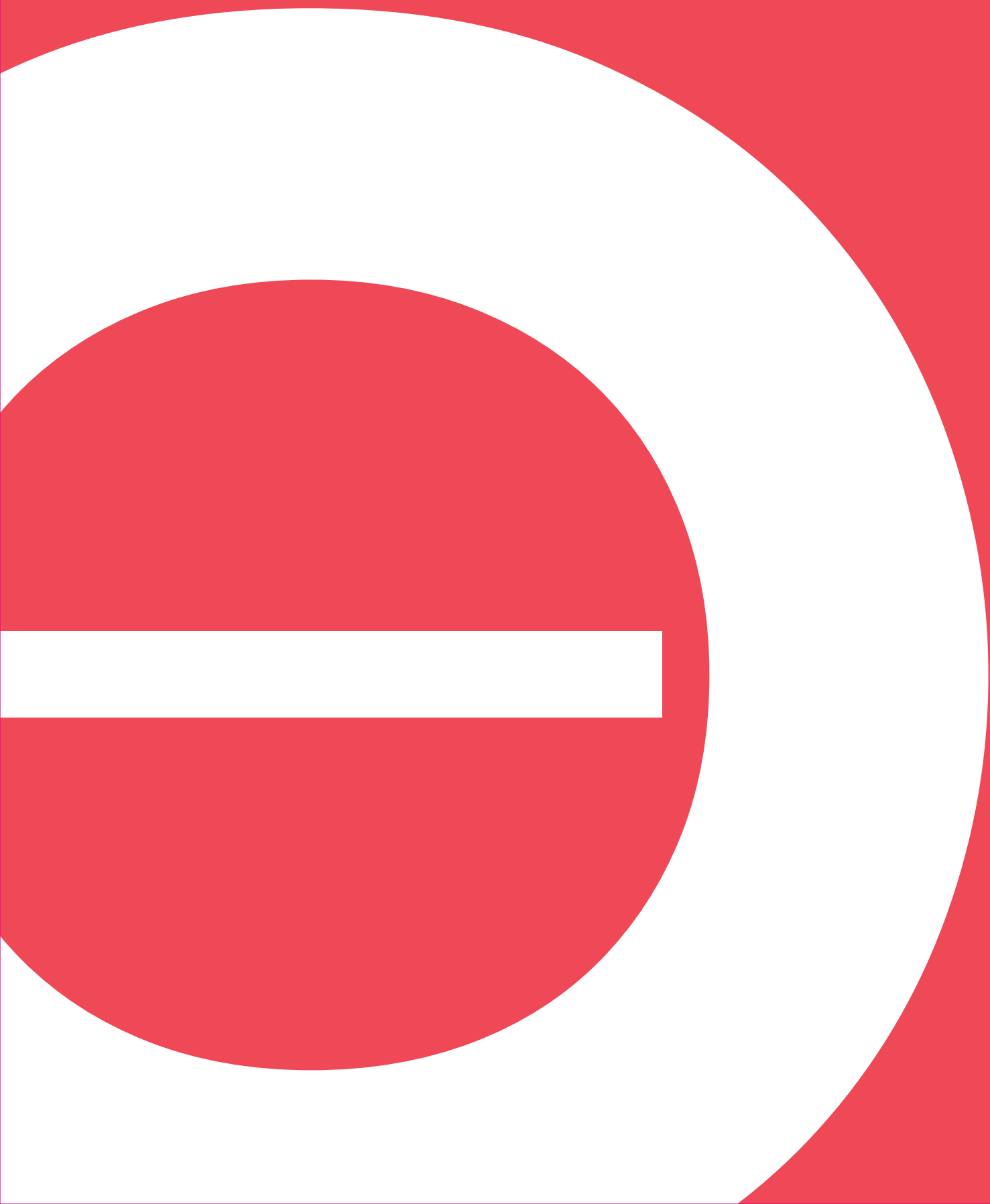
Product	BACKPLATE			
Version	Base plate with or without two Ø4 mm screw holes with c/c 26 mm. For making customer-specific products suitable for the slatwall system.			
Material	Bare steel			
	Version	Height	Width	Article
	Without holes	70	52	65.1970.00
	With holes	70	52	65.1972.00



Product	BACKPLATE S		
Version	Narrow base plate. For making customer-specific products suitable for the slatwall system.		
Material	Bare steel		
	Height	Width	Article
	70	27	65.1971.00

LINE system

ACRYLIC

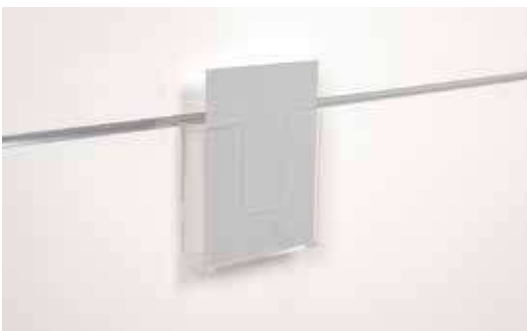




Product	BROCHURE HOLDER A6			
Version	Portrait presentation holder for A6 brochures. Thickness 2.5 mm.			
Material	Acrylic			
	Height	Width	Depth	Article
	155	110	37	65.3001L.30



Product	BROCHURE HOLDER A6+			
Version	Portrait presentation holder for A6 brochures, extra high. Thickness 2.5 mm.			
Material	Acrylic			
	Height	Width	Depth	Article
	213	115	26	65.3002L.30



Product	BROCHURE HOLDER A5			
Version	Portrait presentation holder for A5 brochures. Thickness 2.5 mm.			
Material	Acrylic			
	Height	Width	Depth	Article
	155	165	37	65.3003L.30
	155	180	37	65.3005L.30



Product	BROCHURE HOLDER A4			
Version	Portrait presentation holder for A4 brochures. Thickness 2.5 mm.			
Material	Acrylic			
	Height	Width	Depth	Article
	250	235	39	65.3004L.30



Product **PHOTO HOLDER A5**
 Version Photo holder where photo is presented flat against the wall.
 Thickness 3 mm.
 Material **Acrylic**

Height	Width	Article
215	160	65.3015.30



Product **PHOTO HOLDER A4**
 Version Photo holder where photo is presented flat against the wall.
 Thickness 3 mm.
 Material **Acrylic**

Height	Width	Article
320	215	65.3011.30



Product **PHOTO HOLDER A4+**
 Version Photo holder where photo is presented flat against the wall.
 Thickness 3 mm.
 Material **Acrylic**

Height	Width	Article
320	320	65.3012.30



Product **ACRYLIC SHELF**
 Version Shelf equipped with additional reinforcement. Thickness 5 mm.
 Material **Acrylic**

Width	Depth	Article
400	205	65.3013.30
400	305	65.3014.30



Product	SHOE SHELF FRONT		
Version	Shoe shelf with turned front. Thickness 2.5 mm.		
Material	Acrylic		
	Width	Depth	Article
	250	115	65.3101.30



Product	SHOE SHELF SCAN			
Version	Shoe shelf with scan front. Thickness 3 mm.			
Material	Acrylic			
	Height	Width	Depth	Article
	40	250	118	65.3202.30



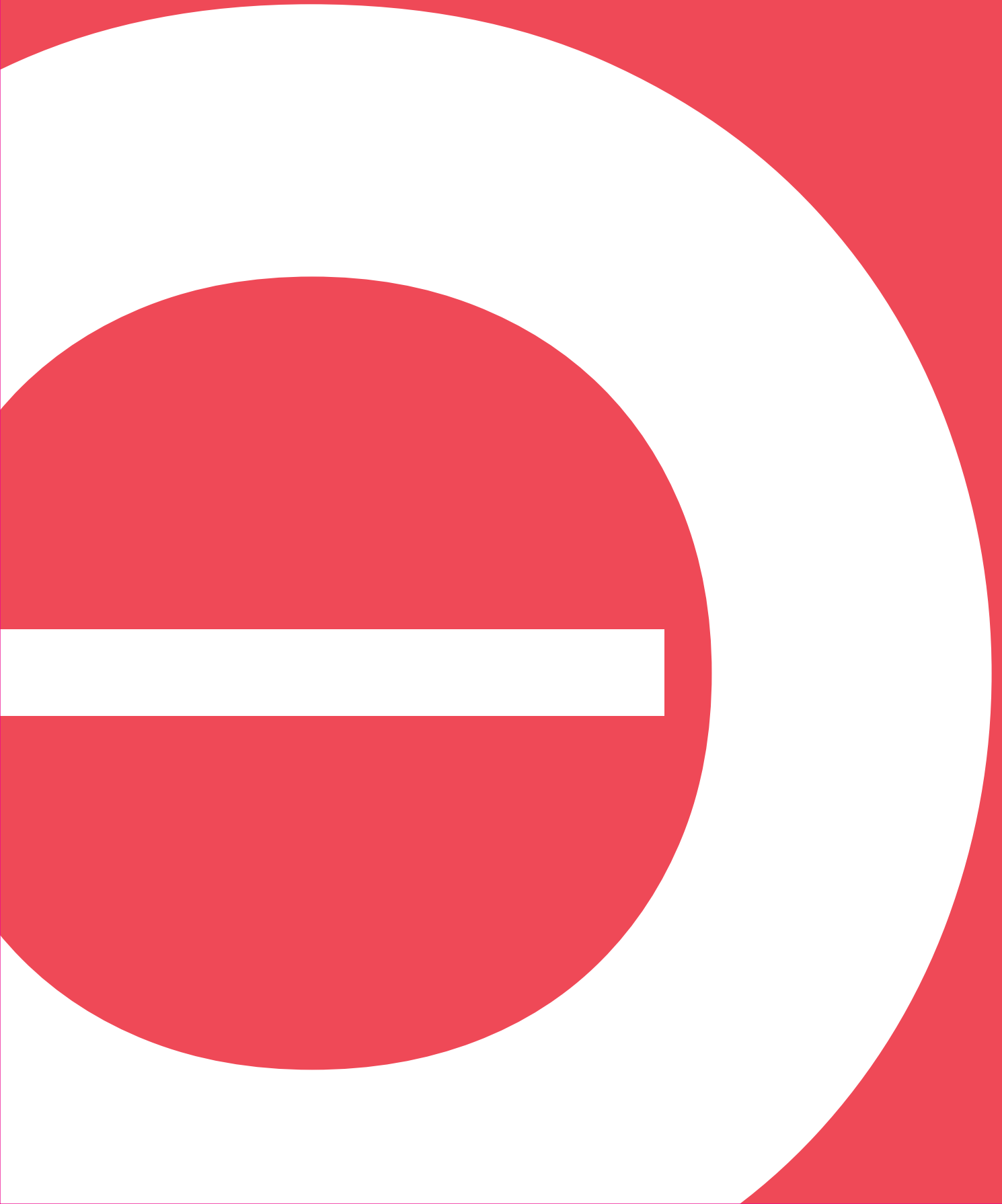
Product	SHOE SHELF FLAT		
Version	Shoe shelf flat. Thickness 3 mm.		
Material	Acrylic		
	Width	Depth	Article
	250	100	65.3103.30

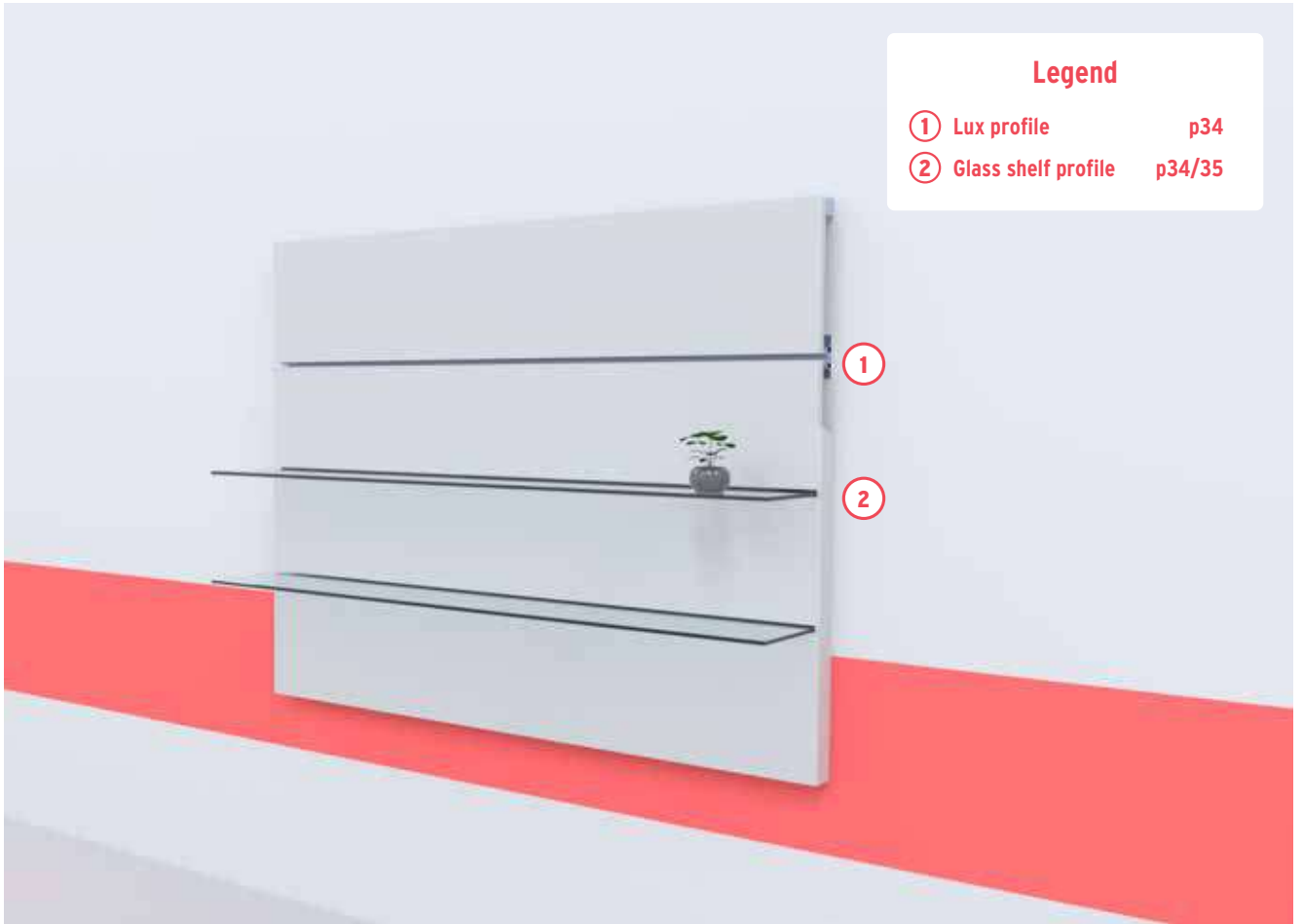


Product	GLASSES HOLDER OPEN		
Version	Glasses presentation for one pair of glasses in an open position.		
Material	Acrylic		
			Article
			65.3115.30

LINE system

GLASS SHELF PROFILES

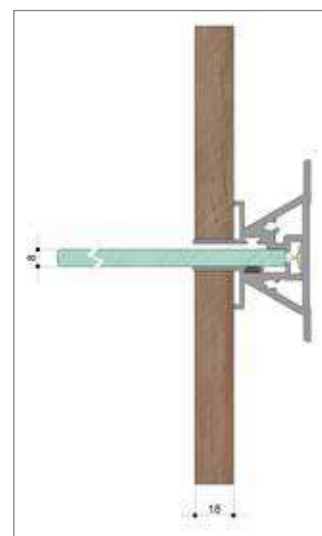
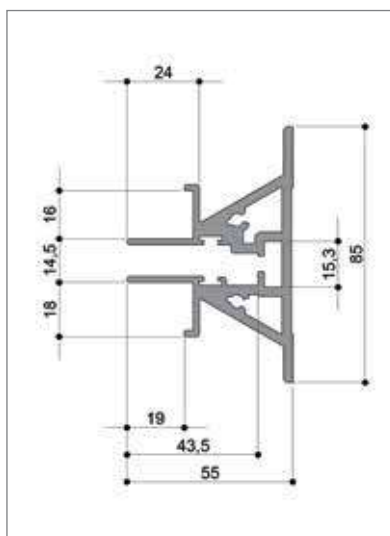




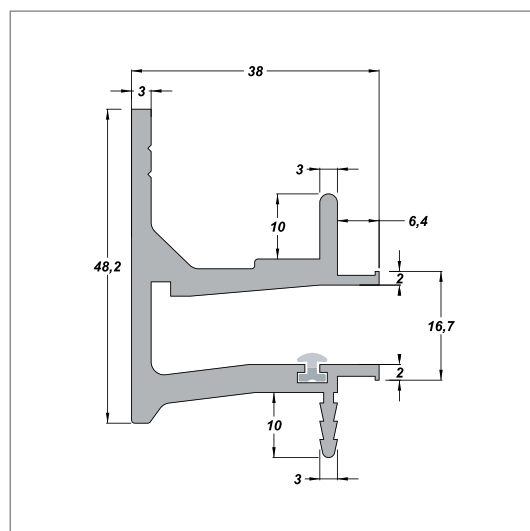
Legend

- ① Lux profile p34
- ② Glass shelf profile p34/35

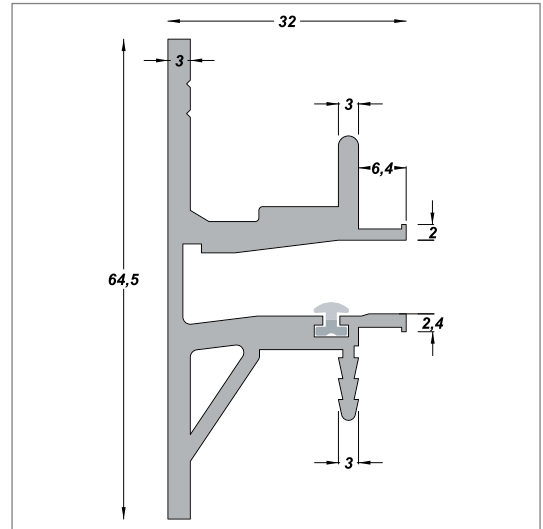
Product	LUX PROFILE	
Version	Glass shelf profile for inserting 8 mm or 10 mm glass shelves. With option of integrating LED.	
Material	Bare aluminium	
Length	6050	Article 64.5065.10
Material	Black aluminium	64.5065.91



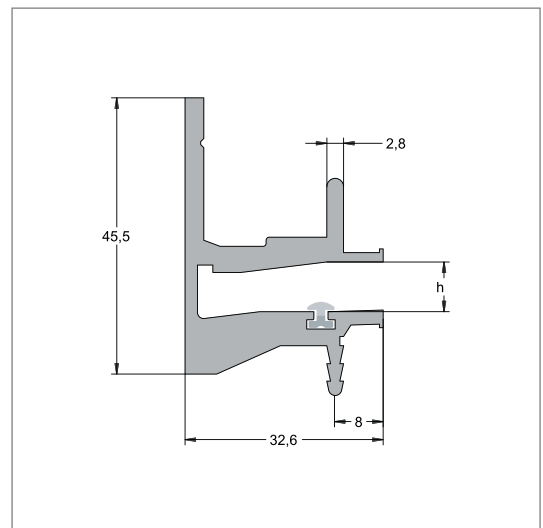
Product	GLASS SHELF PROFILE 10	
Version	Horizontal profile for inserting 10 mm glass shelves.	
Material	Aluminium matt silver	
Length	6000	Article 64.0010.12



Product	GLASS SHELF PROFILE 8	Article	64.1010.12
Version	Horizontal profile for inserting 8 mm glass shelves.		
Material	Aluminium matt silver		
Length	6000		



Product	GLASS SHELF PROFILE 6	Article	64.3010.12
Version	Horizontal profile for inserting 6 mm glass shelves.		
Material	Aluminium matt silver		
Length	6000		



ASSEMBLY EXAMPLE AND MILLING IMAGE

Only applicable to article numbers
64.0010.12, 64.1010.12, 64.1012.12 and 64.3010.12

