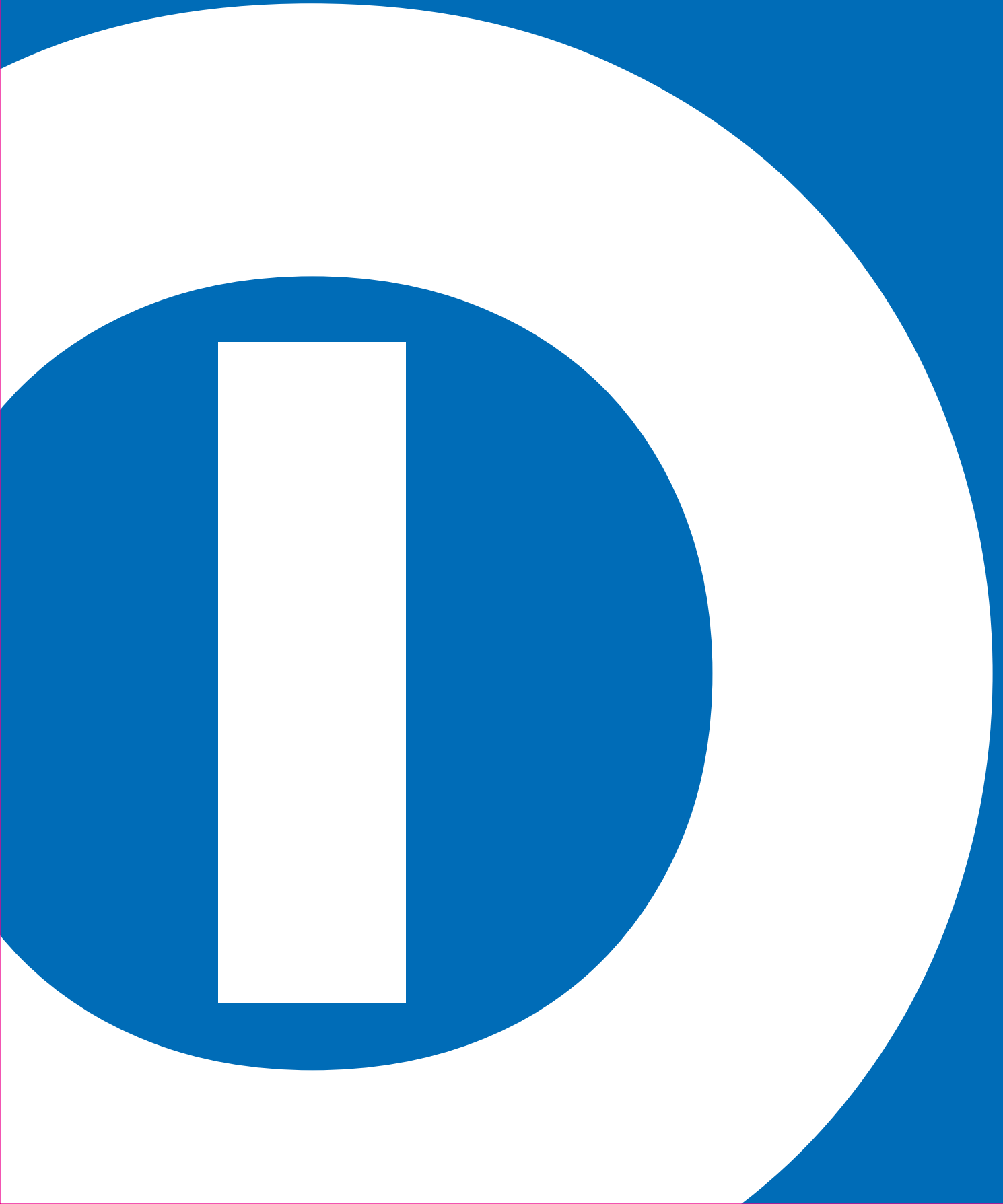


PERFOTUBE®







## Tube System

The Tube System is a universal metal presentation system that combines extreme robustness with optimum vertical adjustability.

---

### When should you opt for the Tube System?

The Tube System is ideal for virtually any retail application. Its strength and flexibility make it particularly popular in the low-end and mid-range segments. High-end retailers often combine the Tube System with our other presentation systems.

### How the Tube System works

The Tube System begins with vertical uprights or rails: perforated metal tubes or profiles. Mount them directly onto a structural wall or use them free-standing. Adjustable feet and wall brackets allow you to align the system perfectly, both horizontally and vertically. The tubes and profiles are available with single or double perforations in a variety of pitches. Add shelf-bearing brackets, support bars, hanging brackets and other accessories to quickly create a sturdy and flexible presentation system offering optimum vertical adjustability.

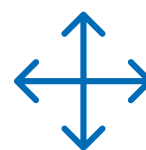
### Advantages of the Tube System



**Quick to assemble**



**Extremely robust**



**Highly flexible and  
easy to adjust**

**In addition to our standard systems, we also offer custom solutions.  
With our extensive partner network, we can respond flexibly  
to your specific wishes and give you exactly what you need!**

## The Tube System and LED lighting

Good lighting adds the finishing touch to your product presentation. That's why there are various easy ways to add LED lighting to the Tube System. Working with reliable partners, we have developed a low-voltage track system that slides easily into the perforated tubes. There are tracks to suit any size of tube. A special plug makes it easy to connect through the perforations. Contact us to find out what the options are.



**ARTICLE NUMBER**

10.6005.00	article number
10.6005.00	article group code
10.6005.00	article code
10.6005.00	colour and/or finish

**COLOUR CODE OF STANDARD PRODUCTS**

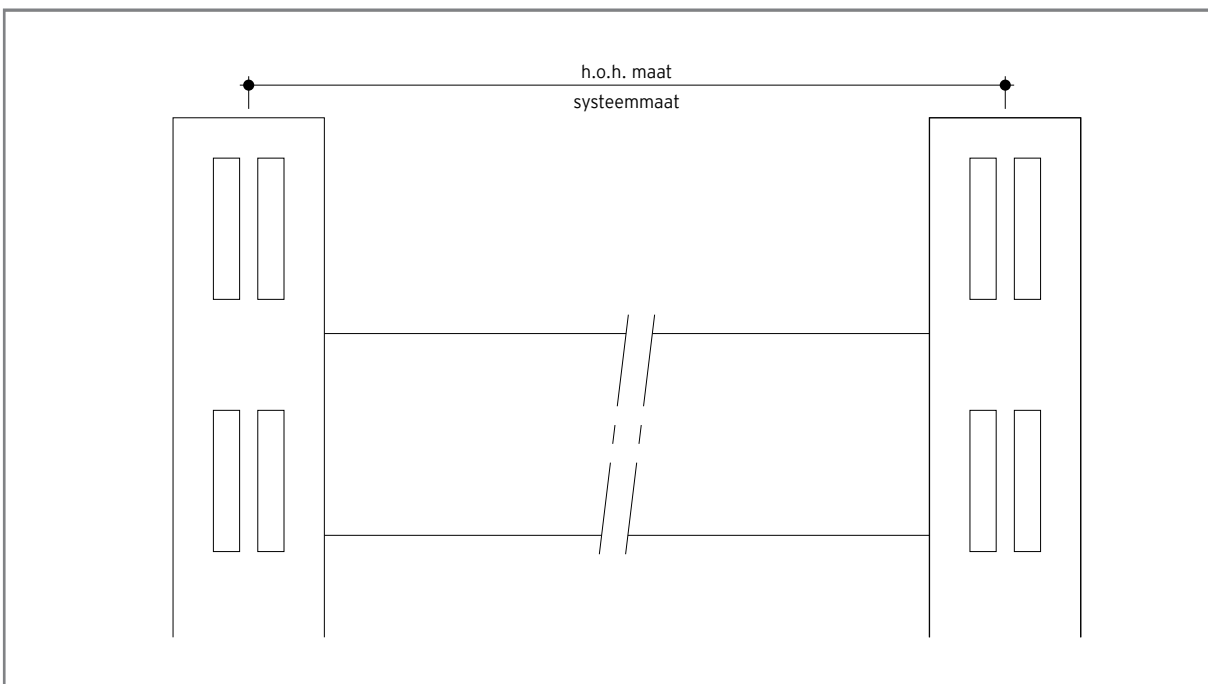
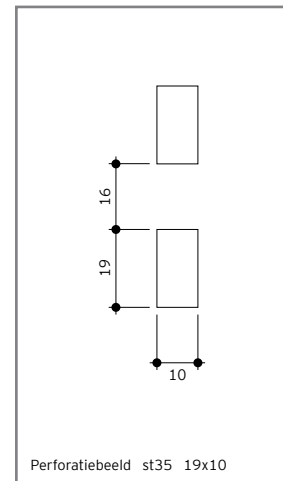
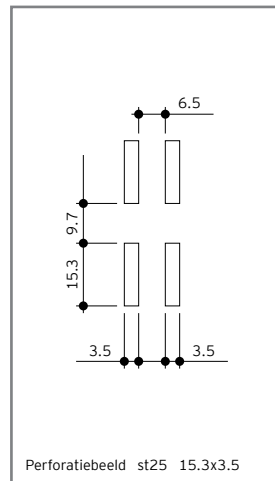
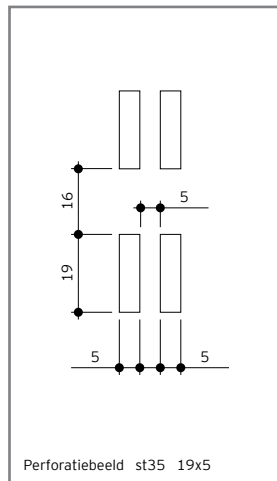
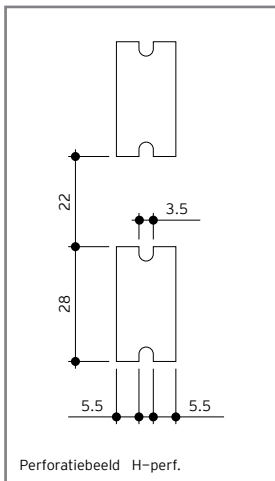
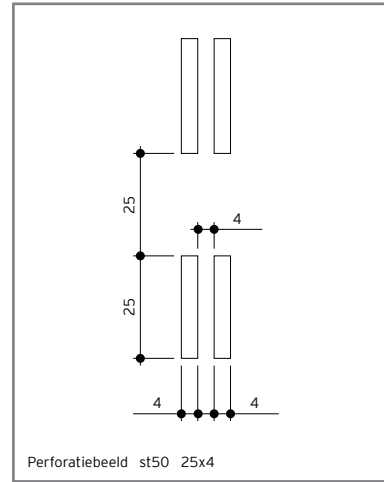
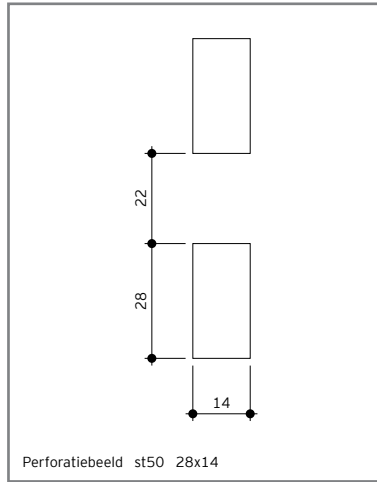
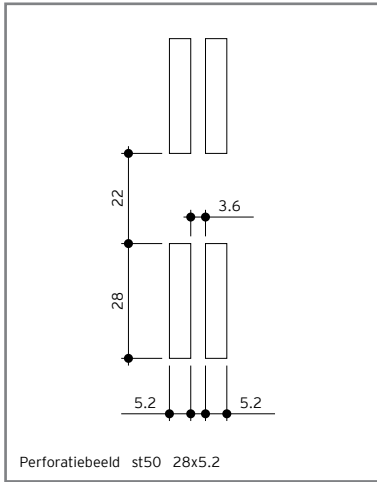
.00	Steel	Bare (untreated)
.01	Steel	RAL 9001
.02	Steel	RAL 9006 TL
.06	Steel	High-gloss chrome-plated
.08	Steel	Black
.09	Steel	White
.10	Aluminium	Bare (untreated)
.11	Aluminium	Matt nickel-plated
.12	Aluminium	Matt silver (anodised)
.91	Aluminium	Black (anodised)
.20	Stainless steel	Bare
.21	Stainless steel	Brushed
.30	Plastic	Neutral
.31	Plastic	Black
.32	Plastic	White
.34	Plastic	Grey
.36	Plastic	Chrome-plated

Other colours are available on request; contact us to find out what is possible.

**ABBREVIATIONS:**

SP	Single Perforation
DP	Double Perforation
HP	H-perforation
2-s	Perforation on 2 sides
2-s + SDP	Perforation on 2 sides with side perforation
4-s	Perforation on 4 sides
8-s	Perforation on 8 sides
fo	Flat Oval
re	Square/rectangular tube
c/c	Centre-to-centre

TECHNICAL DRAWINGS



# TUBE system

TUBES









system 50 ① ②

Perforation 28 x 5.2 mm

Product **SQUARE TUBE 30/30**  
Version 30x30 mm with single or double perforation, one-sided, two-sided or four-sided, with a pitch of 50 mm. Perforation size 28 x 5.2 mm.

Material **Bare steel**

Sizes	Length	Perforation	Article
30x30x2	6000	SP 1-s	10.3305.00
30x30x2	6000	SP 2-s	10.3304.00
30x30x2	6000	SP 4-s	10.3308.00
30x30x2	6000	DP 1-s	10.3303.00
30x30x2	6000	DP 2-s	10.3302.00
30x30x2	6000	DP 4-s	10.3306.00



system 50 ②

Perforation 28 x 5.2 mm

Product **SQUARE TUBE 40/40**  
Version 40x40 mm with double perforation, one-sided, two-sided or four-sided, with a pitch of 50 mm. Perforation size 28 x 5.2 mm.

Material **Bare steel**

Sizes	Length	Perforation	Article
40x40x2	6000	DP 1-s	10.4421.00
40x40x2	6000	DP 2-s	10.4422.00
40x40x2	6000	DP 4-s	10.4425.00




system 50 ③

Perforation 28 x 5.2 mm

Product **SQUARE TUBE 60/60**  
Version 60x60 mm with double perforation, two-sided or four-sided, with a pitch of 50 mm. Perforation size 28 x 5.2 mm.

Material **Bare steel**

Sizes	Length	Perforation	Article
60x60x2	5800	DP 2-s	10.6602.00
60x60x2	5800	DP 4-s	10.6606.00

system 50   
Perforation 28 x 5.2 mm



Product **RECTANGULAR TUBE 50/30**  
Version 50x30 mm with double perforation, two-sided or two-sided with a side perforation every 250 mm, with a pitch of 50 mm. Perforation size 28 x 5.2 mm.

Material **Bare steel**

Sizes	Length	Perforation	Article
50x30x2	6000	DP 2-s	10.5302.00
50x30x2	6000	DP 2-s + SDP	10.5304.00

system 50   
Perforation 28 x 5.2 mm



Product **RECTANGULAR TUBE 60/30**  
Version 60x30 mm with double perforation, two-sided or two-sided with a side perforation every 250 mm, with a pitch of 50 mm. Perforation size 28 x 5.2 mm.

Material **Bare steel**

Sizes	Length	Perforation	Article
60x30x2	6000	DP 2-s	10.6322.00
60x30x2	6000	DP 2-s + SDP	10.6325.00

system 50   
Perforation 28 x 5.2 mm



Product **ROUND TUBE 60**  
Version  $\varnothing$ 60 mm with double perforation, two-sided or four-sided, with a pitch of 50 mm. Perforation size 28 x 5.2 mm.

Material **Bare steel**

Sizes	Length	Perforation	Article
$\varnothing$ 60x2	6000	DP 2-s	10.6002.00
$\varnothing$ 60x2	6000	DP 4-s	10.6005.00



system 50 ①

Perforation 28 x 14 mm

Product **RECTANGULAR TUBE 60/30**  
 Version 60x30 mm with wide single perforation, two-sided or two-sided with a side perforation every 250 mm, with a pitch of 50 mm.  
 Perforation size 28 x 14 mm.

Material **Bare steel**

Sizes	Length	Perforation	Article
60x30x2	6000	SP 2-s	10.6320.00
60x30x2	6000	SP 2-s + SDP	10.6321.00



system 50 ②

Perforation 28 x 14.5 mm

Product **SQUARE TUBE 30/30 H**  
 Version 30x30 mm with H-perforation, two-sided or four-sided, with a pitch of 50 mm. Perforation size 28 x 14.5 mm.

Material **Bare steel**

Sizes	Length	Perforation	Article
30x30x2.5	6000	HP 1-s	10.3315.00
30x30x2.5	6000	HP 2-s	10.3314.00
30x30x2.5	6000	HP 3-s	10.3313.00
30x30x2.5	6000	HP 4-s	10.3312.00




system 50 ③

Perforation 28 x 14.5 mm

Product **RECTANGULAR TUBE 50/30 H**  
 Version 50x30 mm with H-perforation, two-sided, with a pitch of 50 mm.  
 Perforation size 28 x 14.5 mm.

Material **Bare steel**

Sizes	Length	Perforation	Article
50x30x2.5	6000	HP 2-s	10.5307.00

system 50   
Perforation 28 x 14.5 mm



Product **RECTANGULAR TUBE 60/30 H**  
Version 60x30 mm with H-perforation, two-sided, with a pitch of 50 mm.  
Perforation size 28 x 14.5 mm.

Material **Bare steel**

Sizes	Length	Perforation	Article
60x30x2.5	6000	HP 2-s	10.6309.00
60x30x2.5	6800	HP 2-s	10.6310.00

system 50   
Perforation 28 x 14.5 mm



Product **RECTANGULAR TUBE 80/30 H**  
Version 80x30 mm with H-perforation, two-sided, with a pitch of 50 mm.  
Perforation size 28 x 14.5 mm.

Material **Bare steel**

Sizes	Length	Perforation	Article
80x30x2.5	6000	HP 2-s	10.8306.00
80x30x2.5	6800	HP 2-s	10.8307.00

system 50   
Perforation 28 x 14.5 mm



Product **RECTANGULAR TUBE 110/30 H**  
Version 110x30 mm with H-perforation, two-sided, with a pitch of 50 mm.  
Perforation size 28 x 14.5 mm.

Material **Bare steel**

Sizes	Length	Perforation	Article
110x30x2.5	6800	HP 2-s	10.1306.00



**system 35**

Perforation 19 x 5 mm

**Product** SQUARE TUBE 30/30 PITCH 35  
**Version** 30x30 mm with double perforation, two-sided or four-sided, with a pitch of 35 mm. Perforation size 19 x 5 mm.

**Material** Bare steel

Sizes	Length	Perforation	Article
30x30x2	6000	DP 2-s	13.3302.00
30x30x2	6000	DP 4-s	13.3304.00



**system 35**

Perforation 19 x 5 mm

**Product** RECTANGULAR TUBE 60/30 PITCH 35  
**Version** 60x30 mm with double perforation, two-sided or two-sided with a side perforation every 245 mm, with a pitch of 35 mm. Perforation size 19 x 5 mm.

**Material** Bare steel

Sizes	Length	Perforation	Article
60x30x2	6000	DP 2-s	13.6302.00
60x30x2	6000	DP 2-s + SDP	13.6304.00




**system 35**

Perforation 19 x 10 mm

**Product** RECTANGULAR TUBE 60/30 PITCH 35  
**Version** 60x30 mm with single wide perforation, two-sided with a double side perforation every 245 mm. Pitch 35 mm. Perforation size 19 x 10 mm.

**Material** Bare steel

Sizes	Length	Perforation	Article
60x30x2	3040	SP 2-s + SDP	13.6305.00

system 35   
Perforation 19 x 5 mm



Product **RECTANGULAR TUBE 60/30 PITCH 35**  
Version 60x30 mm with double perforation, two-sided with a continuous side perforation every 50 mm. Pitch 35 mm. Perforation size 19 x 5 mm.  
Material **Bare steel**

Sizes	Length	Perforation	Article
60x30x2	3015	DP 2-s + SDP	13.6320.00

system 25   
Perforation 15.3 x 3.5 mm



Product **RECTANGULAR TUBE 50/30 PS25**  
Version 50x30 mm with double perforation, two-sided, with a pitch of 25 mm. Perforation size 15.3 x 3.5 mm.  
Material **Bare steel**

Sizes	Length	Perforation	Article
50x30x1.5	6000	DP 2-s	12.5315.00

system 12.5   
Perforation Ø8.5 mm



Product **RECTANGULAR TUBE 50/20 PITCH 12.5**  
Version 50x20 mm with round perforation, two-sided with a pitch of 12.5 mm. Perforation size Ø8.5 mm. This tube is used to produce the pin bar / support bar.  
Material **Bare steel**

Sizes	Length	Perforation	Article
50x20x2	6000	RP 2-s	15.5202.00

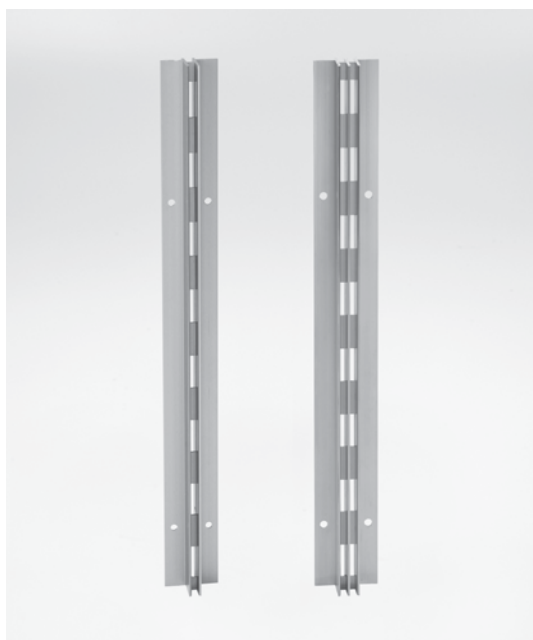


system 35 ①

Perforation 20 x 5 mm

Product **WALL PROFILE SP PITCH 35**  
 Version Wall profile with single perforation. Pitch 35 mm.  
 Perforation size 20 x 5 mm.  
 Material Bare aluminium

Width	Depth	Length	Perforation	Article
40	26	6000	SP	16.4351.10



system 50 ① ②

Perforation 25 x 5 mm

Product **WALL PROFILE SP/DP PITCH 50**  
 Version Wall profile with single or double perforation. Pitch 50 mm.  
 Perforation size 25 x 5 mm.  
 Material Bare aluminium

Width	Depth	Length	Perforation	Article
40	26	6000	SP	16.4501.10
47	26	6000	DP	16.4502.10



Product **FINISHING CAP SP**  
 Version Aluminium finishing cap for wall profile SP (16.4501.10).  
 Material Bare aluminium

Radius	Width	Depth	Article
R 4.5	Ø9	26	16.4345.10

system 50 

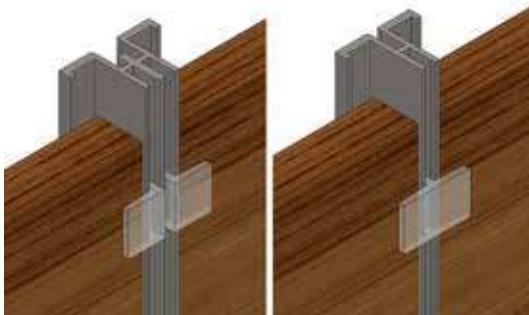
Perforation 25 x 3.6 mm



Product **END PROFILE SP PITCH 50, WALL PROFILE SP/DP**  
 Version End profile with single perforation, wall profile with single or double perforation. Pitch 50 mm.  
 Perforation size 25 x 3.6 mm.

Material **Aluminium matt silver**

Width	Depth	Length	Perforation	Article
19.6	25	2500	SP	16.5102.12
31.6	25	2500	SP	16.5104.12
38.2	25	2500	DP	16.5106.12



Product **PROFILE BACK PANEL CLIP**

Version Suitable for aluminium wall profiles (5100 series), in a left, right and double variant.

Material **Plastic**

Position	Article
Left	16.5125.30
Right	16.5126.30
Double	16.5127.30



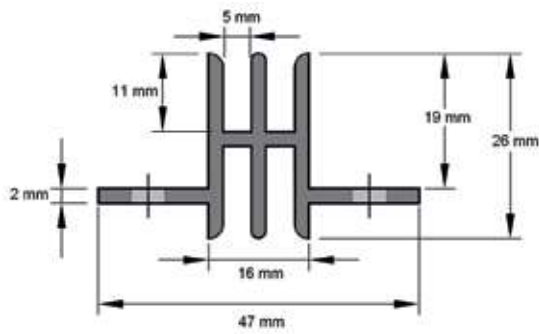
Product **FINISHING CAP SP/DP**

Version Aluminium finishing cap for wall profiles SP and DP (5100 series).

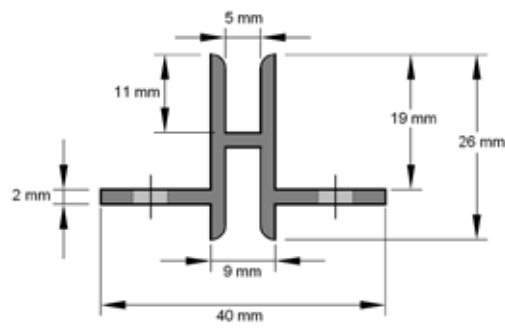
Material **Aluminium matt silver**

Radius	Width	Depth	Article
R 3.75	Ø7.5	25	16.5130.12
R 7.5	Ø14	25	16.5132.12

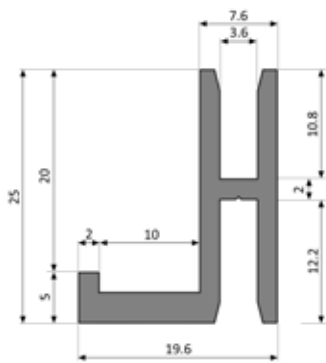




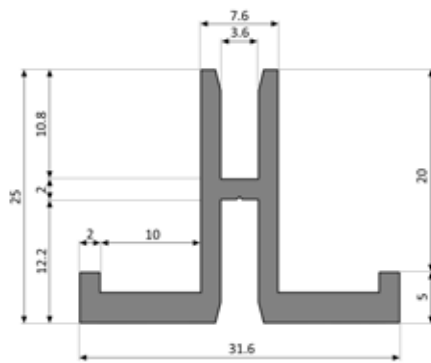
16.4502.10



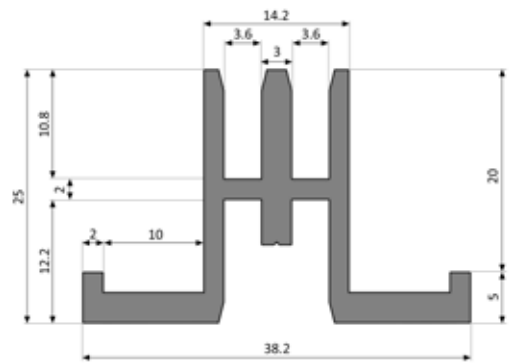
16.4501.10 / 16.4351.10



16.5102.12



16.5104.12



16.5106.12

**CROSS SECTION OF ALUMINIUM PROFILES**

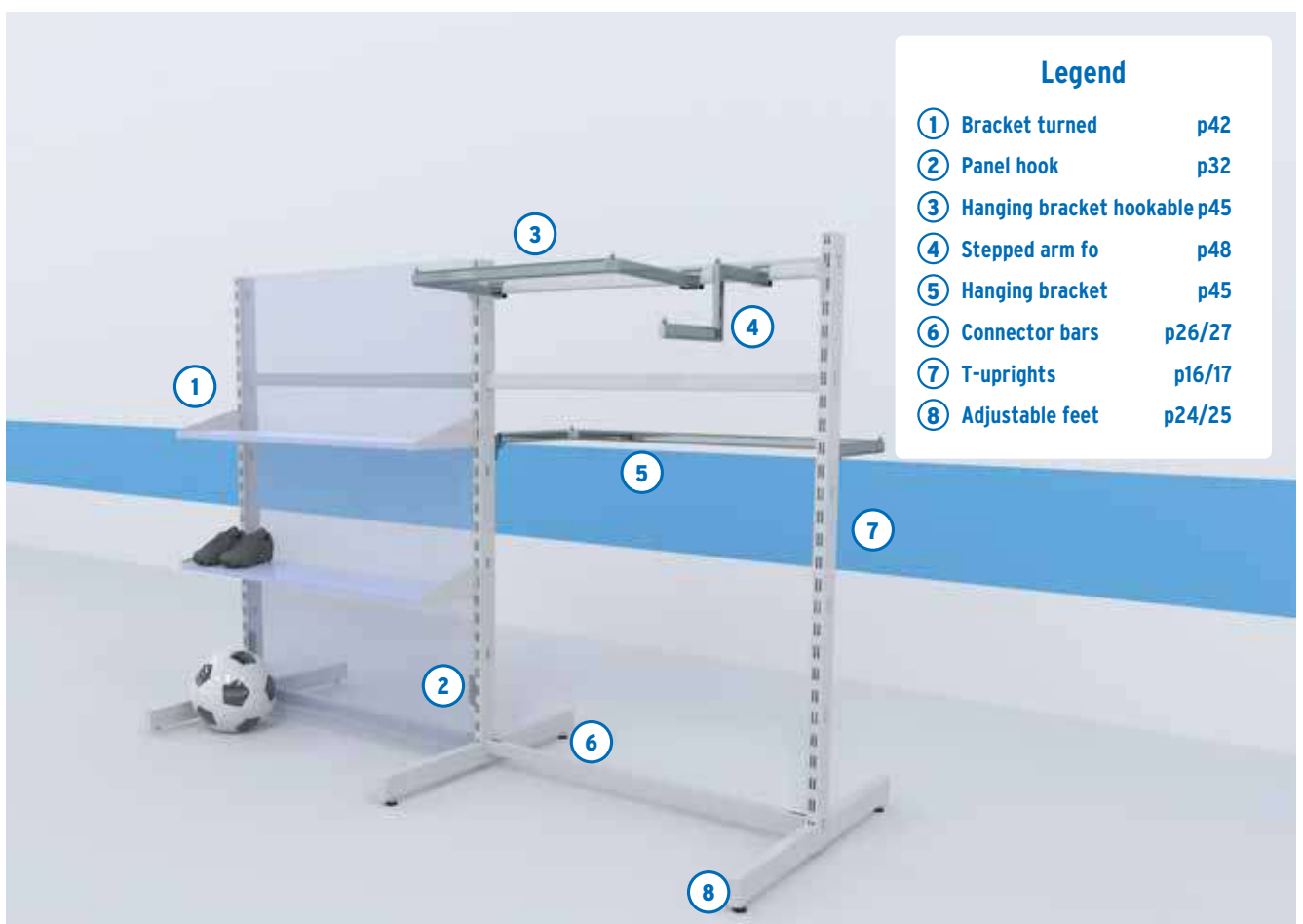



**TUBE** *system*

UPRIGHTS







system 50   
Perforation 28 x 5.2 mm



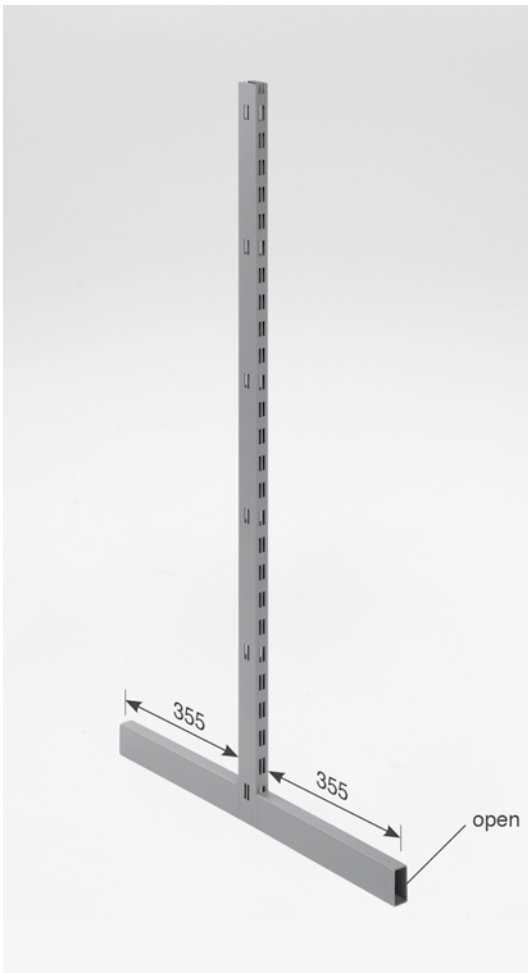
Product **L-UPRIGHT 50/30**  
Version 50x30x2 mm. Double perforation. Pitch 50 mm. Perforation size 28 x 5.2 mm. Perforated on two sides with side perforation every 250 mm. The foot is open at the front. With M10 underneath for adjustable feet. See Chapter 3 Assembly Parts for adjustable feet.

Material **Bare steel**

Height	Depth	Perforation	Article
1360	405	DP 2-s + SDP	20.5001.00
2360	405	DP 2-s + SDP	20.5002.00

This product will be given a powder coat in the desired colour.

system 50   
Perforation 28 x 5.2 mm



Product **T-UPRIGHT 50/30**  
Version 50x30x2 mm. Double perforation. Pitch 50 mm. Perforation size 28 x 5.2 mm. Perforated on two sides with side perforation every 250 mm. The foot is open at the front and rear. With M10 underneath for adjustable feet. See Chapter 3 Assembly Parts for adjustable feet.

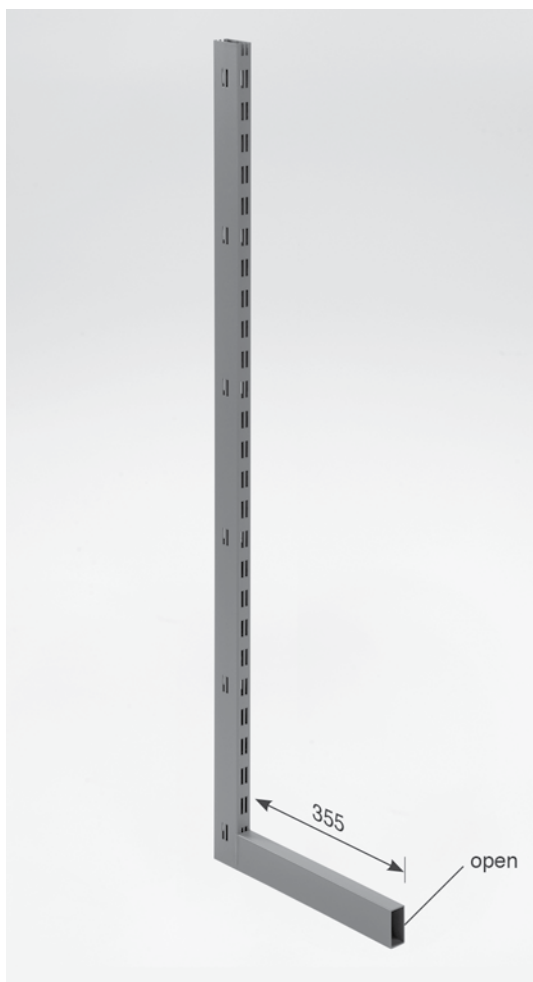
Material **Bare steel**

Height	Depth	Perforation	Article
1360	760	DP 2-s + SDP	25.5301.00
2360	760	DP 2-s + SDP	25.5302.00

This product will be given a powder coat in the desired colour.

system 50

Perforation 28 x 5.2 mm



**Product** L-UPRIGHT 60/30  
**Version** 60x30x2 mm. Double perforation. Pitch 50 mm.  
 Perforation size 28 x 5.2 mm. Perforated on two sides with side perforation every 250 mm. The foot is open at the front.  
 With M10 underneath for adjustable feet.  
 See Chapter 3 Assembly Parts for adjustable feet.

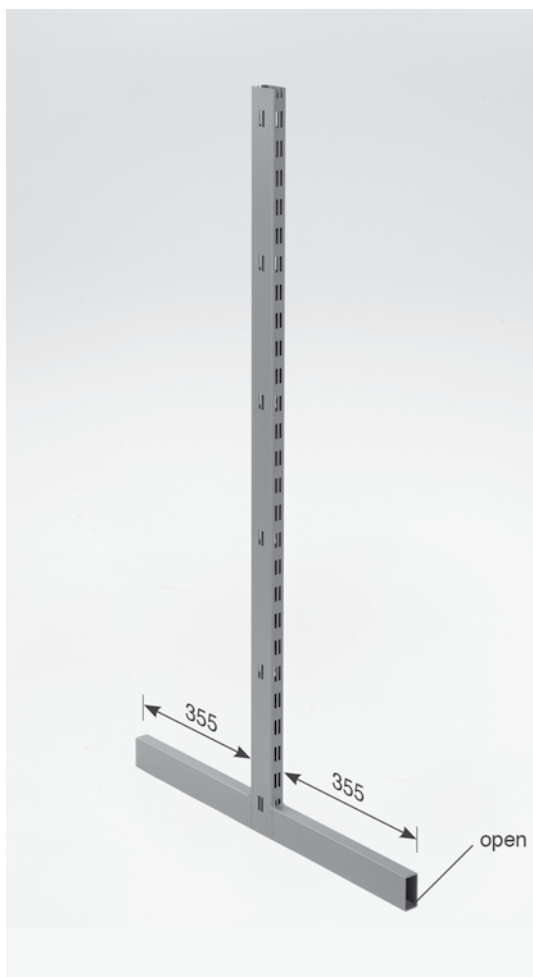
**Material** Bare steel

Height	Depth	Perforation	Article
1360	415	DP 2-s + SDP	20.6321.00
2360	415	DP 2-s + SDP	20.6322.00
2997	415	DP 2-s + SDP	20.6325.00

This product will be given a powder coat in the desired colour.

system 50

Perforation 28 x 5.2 mm




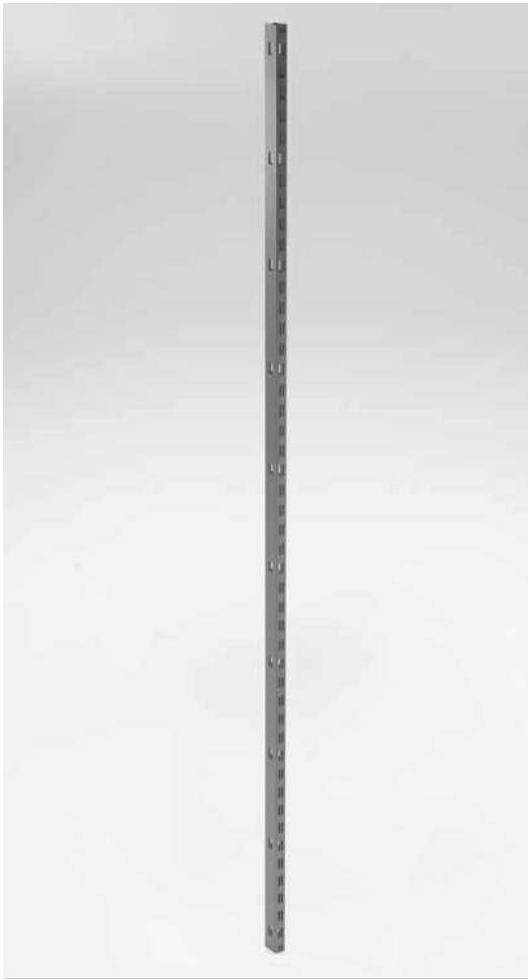
**Product** T-UPRIGHT 60/30  
**Version** 60x30x2 mm. Double perforation. Pitch 50 mm.  
 Perforation size 28 x 5.2 mm. Perforated on two sides with side perforation every 250 mm. The foot is open at the front and rear.  
 With M10 underneath for adjustable feet.  
 See Chapter 3 Assembly Parts for adjustable feet.

**Material** Bare steel

Height	Depth	Perforation	Article
1360	770	DP 2-s + SDP	25.6321.00
2360	770	DP 2-s + SDP	25.6322.00

This product will be given a powder coat in the desired colour.

system 50   
Perforation 28 x 5.2 mm




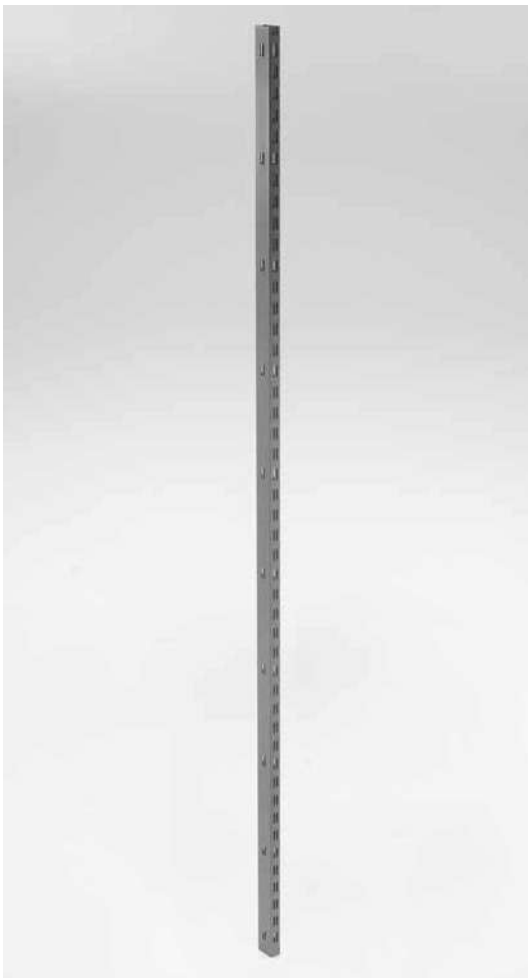
Product **WALL UPRIGHT 50/30**  
Version 50x30x2 mm. Double perforation. Pitch 50 mm.  
Perforation size 28 x 5.2 mm. Perforated on two sides with side perforation every 250 mm. Matching tube insert has article number 30.5301.10 with M10 thread for adjustable feet.  
See Chapter 3 Assembly Parts for adjustable feet.

Material **Bare steel**

Height	Perforation	Article
2360	DP 2-s + SDP	23.5302.00

This product will be given a powder coat in the desired colour.

system 50   
Perforation 28 x 5.2 mm



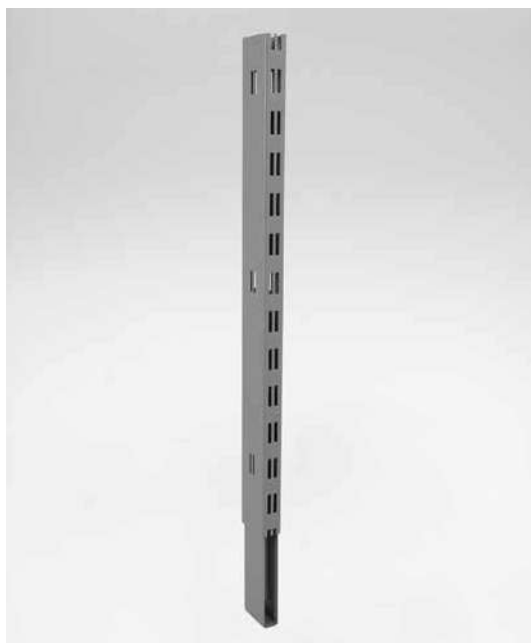
Product **WALL UPRIGHT 60/30**  
Version 60x30x2 mm. Double perforation. Pitch 50 mm.  
Perforation size 28 x 5.2 mm. Perforated on two sides with side perforation every 250 mm. Matching tube insert has article number 30.6302.10 with M10 thread for adjustable feet.  
See Chapter 3 Assembly Parts for adjustable feet.

Material **Bare steel**

Height	Perforation	Article
2360	DP 2-s + SDP	23.6322.00

This product will be given a powder coat in the desired colour.





system 50

Perforation 28 x 5.2 mm

Product **UPRIGHT EXTENDER 60/30**  
 Version 60x30 mm. Double perforation. Pitch 50 mm.  
 Perforation size 28 x 5.2 mm. Perforated on two sides with side perforation every 250 mm. Fits uprights 60x30.

Material **Bare steel**

Sizes	Height	Perforation	Article
60x30x2	650	DP 2-s + SDP	24.6321.00

This product will be given a powder coat in the desired colour.



system 50

Perforation 28 x 5.2 mm

Product **WALL RAIL SP HEAVY**  
 Version Wall rail, heavy version with single perforation. Pitch 50 mm.  
 Perforation size 28 x 5.2 mm. Sold individually.

Material **Bare steel**

Width	Depth	Length	Perforation	Article
21	23.5	2400	SP	16.3001.00

This product will be given a powder coat in the desired colour.



system 50

Perforation 28 x 5 mm

Product **WALL RAIL DP HEAVY**  
 Version Wall rail, heavy version with double perforation. Pitch 50 mm.  
 Perforation size 28 x 5 mm. Sold individually.

Material **Bare steel**

Width	Depth	Length	Perforation	Article
30	23.5	2400	DP	16.3003.00

This product will be given a powder coat in the desired colour.

system 35   
 Perforation 19 x 5 mm



Product **WALL RAIL PITCH 35**  
 Version Wall rail with single or double perforation. Pitch 35 mm.  
 Perforation size 19 x 5 mm.  
 Material Bare steel

Width	Depth	Length	Perforation	Article
16	16	3000	SP	16.2012.00
30	16	3000	DP	16.2024.00

This product will be given a powder coat in the desired colour.

# TUBE system

ASSEMBLY PARTS







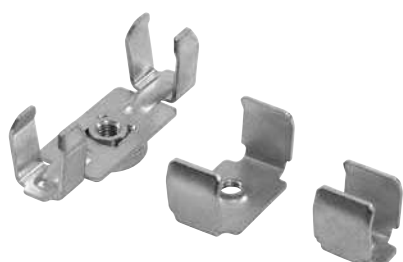
Product	<b>TUBE INSERT ALU</b>	
Version	Aluminium cap for square tube with M10 thread for adjustable foot.	
Material	Bare aluminium	
	Sizes	Article
	25x25x2	30.2501.10
	30x30x2	30.3301.10
	30x30x2.5	30.3302.10
	40x40x2	30.4401.10



Product	<b>TUBE INSERT ALU</b>	
Version	Aluminium cap for rectangular tube with M10 thread for adjustable foot.	
Material	Bare aluminium	
	Sizes	Article
	50x30x2	30.5301.10
	60x30x2	30.6302.10
	60x30x2.5	30.6301.10
	80x30x2.5	30.8301.10



Product	<b>TUBE INSERT ALU Ø</b>	
Version	Aluminium cap for round tube with M10 thread for adjustable foot.	
Material	Bare aluminium	
	Sizes	Article
	Ø60x2	30.6001.10



Product	<b>CLAMP TUBE INSERT METAL</b>	
Version	Self-clamping tube insert with M10 thread for adjustable foot. Inexpensive alternative to ALU tube insert. Suitable for vertical load.	
Material	Galvanised steel	
	Sizes	Article
	30x30x1-3	30.3321.05
	40x40x1-3	30.4421.05
	50x30x1-3	30.5321.05
	60x30x1-3	30.6321.05
	80x30x1-3	30.8321.05
	110x30x1-3	30.1321.05



Product	<b>TUBE INSERT PL</b>	
Version	Plastic cap for square tube.	
Material	Plastic black	
	Sizes	Article
	30x30x2-2.5	31.3301.31
	40x40x2-2.5	31.4401.31
	60x60x2-2.5	31.6601.31
Material	Plastic white	
	30x30x2-2.5	31.3301.32
Material	Plastic grey	
	30x30x2-2.5	31.3301.34
	40x40x2-2.5	31.4401.34
	60x60x2-2.5	31.6601.34



Product	<b>TUBE INSERT PL</b>	
Version	Plastic cap for rectangular tube.	
Material	Plastic black	
	Sizes	Article
	30x15x1.2-2	31.3100.31
	40x20x2-2.5	31.4201.31
	50x30x2-2.5	31.5301.31
	60x30x2-2.5	31.6301.31
	80x30x2-2.5	31.8301.31
	110x30x2-2.5	31.1301.31
Material	Plastic white	
	50x30x2 - 2.5	31.5301.32
	60x30x2 - 2.5	31.6301.32
Material	Plastic grey	
	50x30x2 - 2.5	31.5301.34
	60x30x2 - 2.5	31.6301.34



Product	<b>TUBE INSERT PL Ø</b>	
Version	Plastic cap for round tube.	
Material	Plastic black	
	Sizes	Article
	Ø30x2 - 2.5	31.3001.31
	Ø60x2 - 2.5	31.6001.31
Material	Plastic white	
	Ø60x2-2.5	31.6001.32
Material	Plastic grey	
	Ø60x2 - 2.5	31.6001.34
Material	Plastic chrome-plated	
	Ø60x2 - 2.5	31.6001.36



Product	<b>CAP Ø</b>	
Version	Chrome cap for tube Ø25 mm.	
Material	Plastic chrome-plated	
	Sizes	Article
	Ø25x1.5 - 2	31.6004.36



Product	<b>CAP FO</b>	
Version	End cap for tube 30x15 flat oval.	
Material	Plastic black	
	Sizes	Article
	fo 30x15x1.2-2	31.3101.31
	Material	Plastic chrome-plated
	fo 30x15x1.2-2	31.3101.36



Product	<b>CASTER WHEEL</b>		
Version	Caster wheel Ø75 mm. With bolt hole, ball bearing, no brake.		
	Load	Height	Article
	50 kg	100	33.1241.05



Product	<b>CASTER WHEEL BRAKE</b>		
Version	Caster wheel Ø75 mm. With bolt hole, ball bearing, double brake.		
	Load	Height	Article
	50 kg	100	33.1241.05



Product **CASTER WHEEL MOUNTING PLATE**  
 Version Caster wheel Ø75 mm with 60x60 mm mounting plate.  
 Ball bearing, double brake.

Load	Height	Article
60 kg	100	33.1441.05



Product **ADJUSTABLE FOOT 25/30**  
 Version Plastic adjustable foot Ø25, Ø30.  
 Material Plastic black

Sizes	Article
Ø25 M10x50	32.2501.31
Ø30 M10x25	32.3012.31
Ø30 M10x50	32.3014.31
Ø30 M10x120	32.3019.31



Product **ADJUSTABLE FOOT 32**  
 Version Adjustable foot with plastic ribbed disc Ø32 mm. With internal hexagon.  
 Material Plastic black

Sizes	Article
Ø32 M10x19	32.3201.31



Product **ADJUSTABLE FOOT STAINLESS STEEL**  
 Version Luxury stainless steel adjustable foot Ø40.  
 Material Brushed stainless steel

Sizes	Article
Ø40 M10x40	32.4001.21





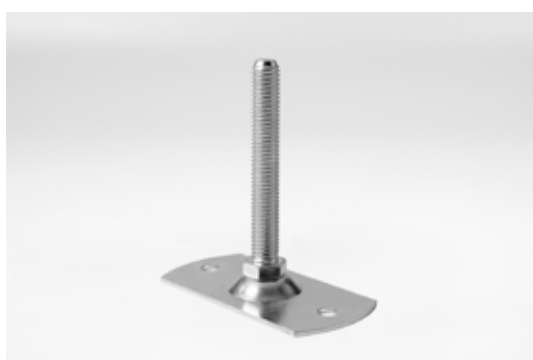
Product	<b>ADJUSTABLE FOOT BLACK</b>	
Version	Metal adjustable foot, all black.	
Material	Black steel	
	Sizes	Article
	Ø30 M10x100	32.3007.08



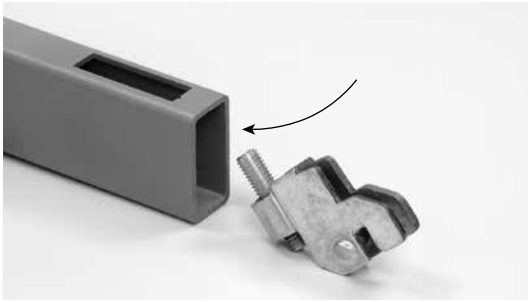
Product	<b>ADJUSTABLE FOOT PIN</b>	
Version	Adjustable foot with fixation pin.	
Material	Galvanised steel	
	Sizes	Article
	Ø30 M10x60	32.3003.05



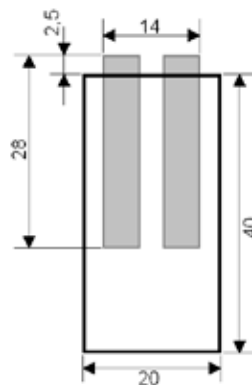
Product	<b>ADJUSTABLE FOOT HOLE</b>	
Version	Metal adjustable foot with screw holes.	
Material	Galvanised steel	
	Sizes	Article
	Ø50 M10x60	32.5001.05



Product	<b>ADJUSTABLE FOOT HOLE</b>	
Version	Metal adjustable foot with mounting plate with screw holes.	
Material	Galvanised steel	
	Sizes	Article
	80x40 M10x70	32.5012.05



**ASSEMBLY INSTRUCTIONS CLAMP**



Verbindingskoker met klem



Product **CONNECTOR BAR CLAMP RE**  
 Version Connector bar 40x20, including clamps, for square/rectangular tube (30x30, 50x30, 60x30, 80x30). Attachable to upright using clamp. The true length is c/c minus 30 mm. Other lengths are available on request.

Material **Bare steel**

Sizes	Article
c/c 600	35.5001.00
c/c 625	35.3003.00
c/c 665	35.4002.00
c/c 800	35.5003.00
c/c 1000	35.1002.00
c/c 1250	35.2002.00

This product will be given a powder coat in the desired colour.



Product **CONNECTOR BAR CLAMP RO**  
 Version Connector bar 40x20, including clamps, for round tube (Ø60). Attachable to upright using clamp. The true length is c/c minus 60 mm. Other lengths are available on request.

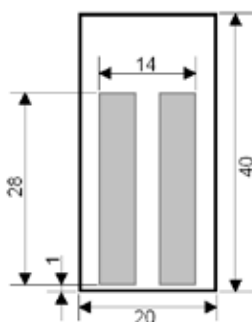
Material **Bare steel**

Sizes	Article
c/c 625	35.3001.00
c/c 665	35.4001.00
c/c 1000	35.1001.00
c/c 1250	35.2001.00

This product will be given a powder coat in the desired colour.



ASSEMBLY INSTRUCTIONS BEAD

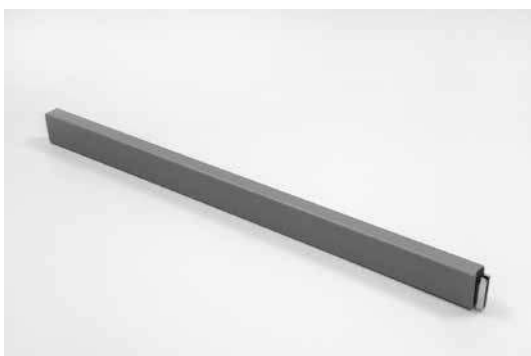


Verbindingskoker met kraal



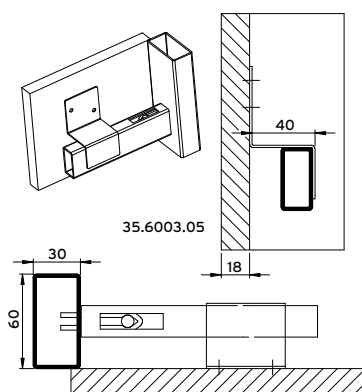
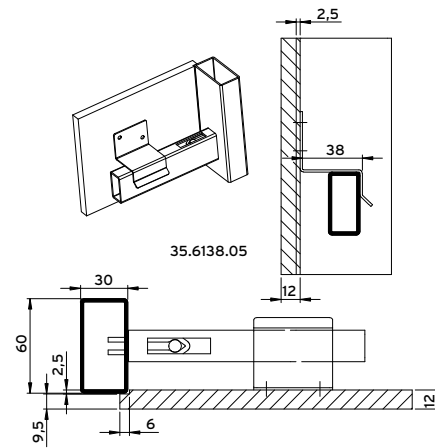
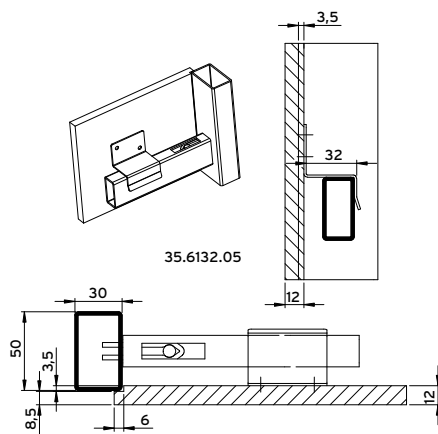
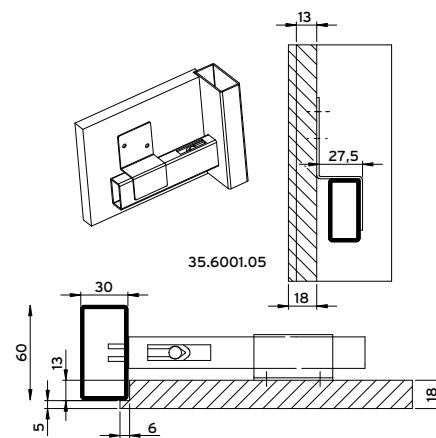
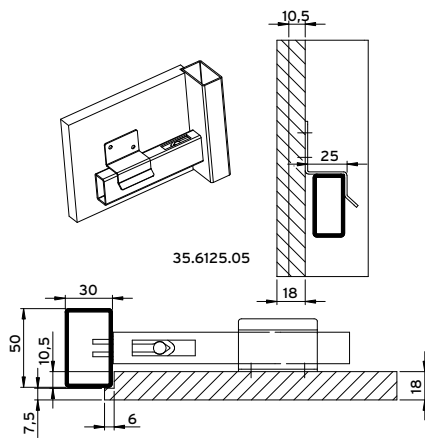
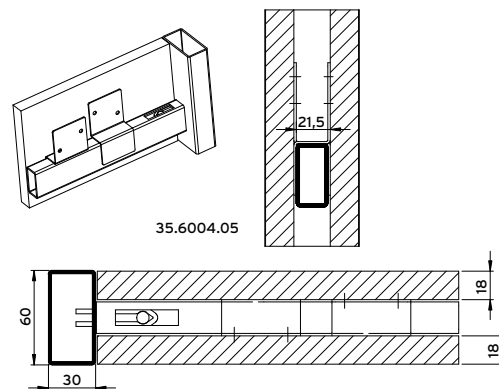
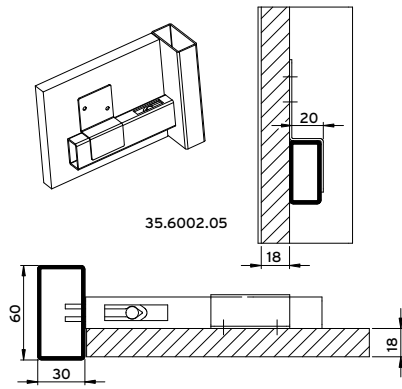
Product	<b>CONNECTOR BAR BEAD RE</b>	
Version	Connector bar 40x20 bead. Including two beads. For square/rectangular tube (30x30, 50x30, 60x30, 80x30). The true length is c/c minus 30 mm. Other lengths are available on request.	
Material	<b>Bare steel</b>	
	Sizes	Article
	c/c 600	35.7002.00
	c/c 625	35.7004.00
	c/c 665	35.7001.00
	c/c 1000	35.7003.00
	c/c 1250	35.7005.00

This product will be given a powder coat in the desired colour.

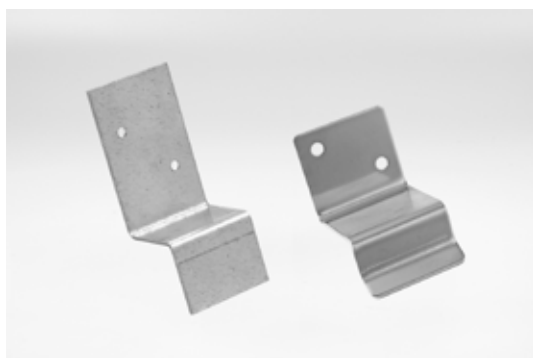


Product	<b>CONNECTOR BAR BEAD RO</b>	
Version	Connector bar 40x20 bead. Including two beads. For round tube (Ø60). The true length is c/c minus 60 mm. Other lengths are available on request.	
Material	<b>Bare steel</b>	
	Sizes	Article
	c/c 600	35.8001.00
	c/c 625	35.8002.00
	c/c 665	35.8003.00
	c/c 1000	35.8004.00
	c/c 1250	35.8005.00

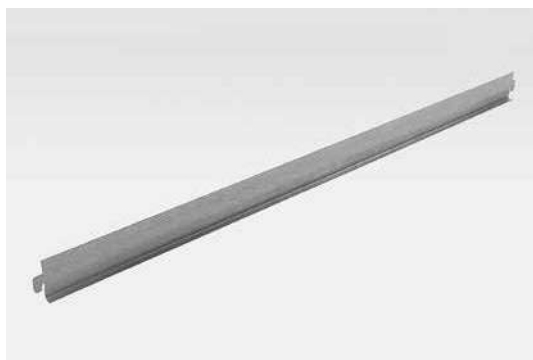
This product will be given a powder coat in the desired colour.



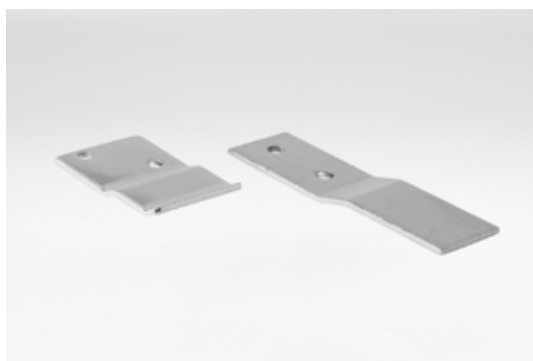
**ATTENTION:**  
 Not all brackets can be used for mounting back panels in front of the tube. Which accessories can be used depends on the thickness of the panel. Contact us to find out what is possible.



Product	<b>BACK PANEL Z-HOOK</b>	
Version	Z-hook to hook back panel over connector bar. Refer to the line drawings on the previous page to see the various applications.	
Material	Galvanised steel	
	Depth	Article
	20	35.6002.05
	21.5	35.6004.05
	25	35.6125.05
	27.5	35.6001.05
	32	35.6132.05
	38	35.6138.05
	40	35.6003.05



Product	<b>CONNECTOR PROFILE RE</b>	
Version	Turned galvanised connector profile. Inexpensive alternative for where connections are not visible.	
Material	Galvanised steel	
	Sizes	Article
	c/c 625	35.9103.05
	c/c 665	35.9104.05
	c/c 1000	35.9105.05
	c/c 1250	35.9106.05



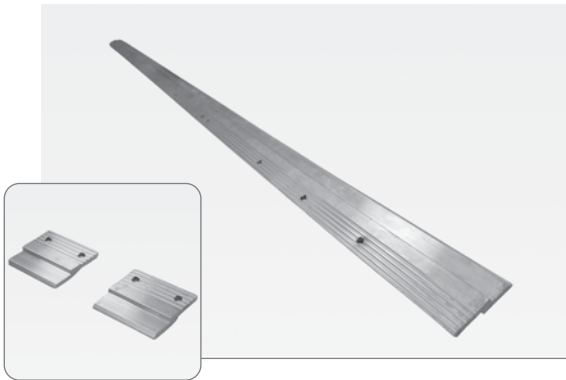
Product	<b>BACK PANEL Z-HOOK</b>	
Version	Z-hook to hook back panel over connector profile.	
Material	Galvanised steel	
	Sizes	Article
	48 x 30	35.6102.05
	55 x 11	35.6005.05

Product **HOOK PROFILE CLIP**  
 Version Aluminium clip with holes c/c 40 mm.  
 Material Bare aluminium

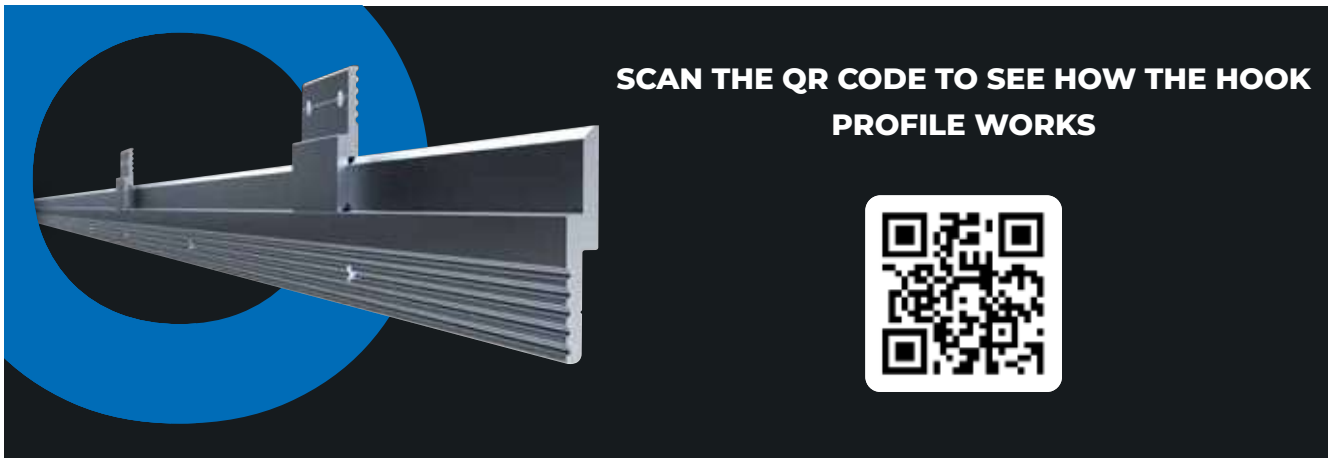
Length	Thickness	Article
50	6	65.1308.10
50	7	65.1312.10

Product **HOOK PROFILE**  
 Version Aluminium hook profile with holes c/c 150 mm.  
 Material Bare aluminium

Length	Thickness	Article
2000	6	65.1309.10
3000	6	65.1310.10
6000	6	65.1313.10

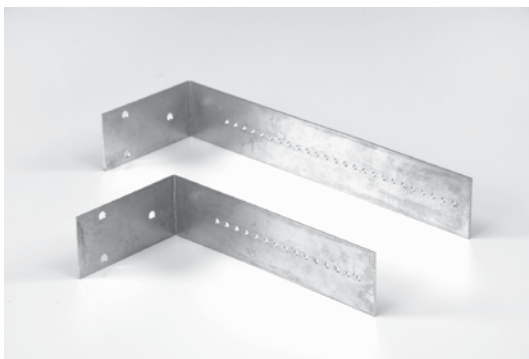


SCAN THE QR CODE TO SEE HOW THE HOOK PROFILE WORKS



Product **WALL BRACKET FLEX**  
 Version Wall bracket to screw to upright with self-drilling screw. Adjustable distance to the wall. When attached, bend the rest of the material backwards.  
 Material Galvanised steel

Sizes	Length	Article
200x100x50	0-200	34.4052.05
300x100x50	0-300	34.4053.05



Product **SET OF DRILL SCREWS**  
 Version Set of 50 drill screws with external hexagon for screwing wall bracket flex to the upright. Supplied with bit.  
 Material Galvanised steel

Sizes	Article
3.5x13	34.4050.05





Product	<b>WALL BRACKET 30</b>		
Version	Short fix wall bracket. Attachable to upright using socket head screw.		
Material	Bare steel		
	Length	Article	
	30	34.1001.00	
This product will be given a powder coat in the desired colour.			

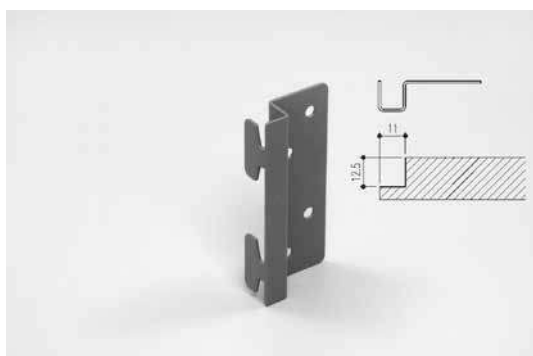


Product	<b>WALL BRACKET VAR.</b>		
Version	Adjustable wall bracket. Attachable to upright using clamp.		
Material	Bare steel		
	Length	Article	
	60-100	34.4001.00	
	150-280	34.4002.00	
	220-400	34.4003.00	
This product will be given a powder coat in the desired colour.			

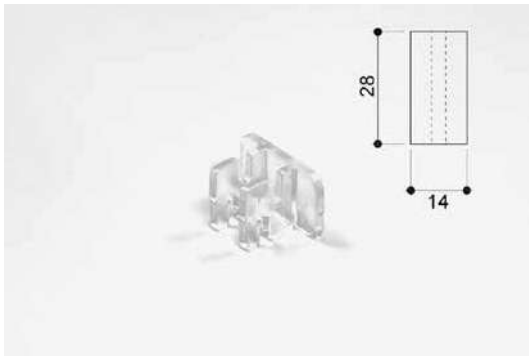


Product	<b>WALL BRACKET 16</b>			
Version	Short fix wall bracket. Hookable with double tooth plate. With two screw holes $\varnothing 9$ mm c/c 70 mm.			
Material	Bare steel			
	Height	Width	Length	Article
	73	100	16	34.4040.00
Material	Galvanised steel			
	Height	Width	Length	Article
	73	100	16	34.4040.05
This product will be given a powder coat in the desired colour.				

system 50

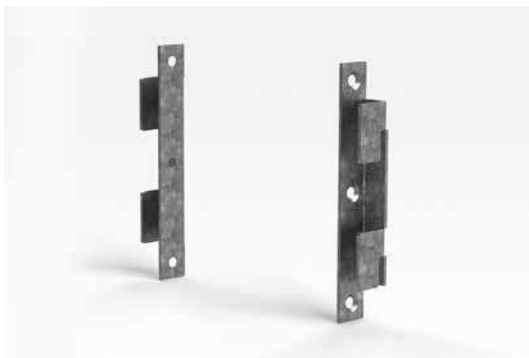


Product	<b>BACK PANEL HOOK UNI</b>			
Version	Universal model. To be used both L and R. Groove depth 12.5 mm. To be used with square/rectangular tube 30/50/60/80 x 30 mm.			
Material	Galvanised steel			
	Height	Width	Depth	Article
	80	37	13	36.1003.05
Material	Steel Ral 9001			
	80	37	13	36.1003.01
Material	Steel Ral 9006			
	80	37	13	36.1003.02
Material	Black steel			
	80	37	13	36.1003.08
Material	Steel Ral 7015			
	80	37	13	36.1003.7015



Product	<b>BACK PANEL CLIP DP</b>	
Version	Suitable for double perforation, H-perforation or wide single perforation. Minimum width is 14 mm. Adjustable depth of 5 or 8 mm.	
Material	Plastic	
		Article 36.1005.30

system 50  



Product	<b>PANEL HOOK</b>	
Version	Panel hook or back panel hook, sold in pairs. Thickness 1.5 mm.	
Material	Galvanised steel	
	Sizes 102.5x15x12	Article 36.1002.05

system 50  



Product	<b>SINGLE SHOP HOOK</b>	
Version	Single tooth plate in u-shape with two holes Ø5 mm.	
Material	Bare steel	
	Sizes 62x12x2	Article 38.1001.00
Material	Galvanised steel	
	62x12x2	38.1001.05

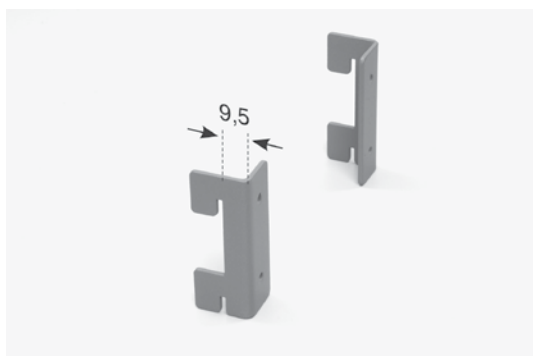
system 50  



Product	<b>DOUBLE SHOP HOOK</b>	
Version	Double tooth plate in u-shape with three holes Ø5 mm.	
Material	Bare steel	
	Sizes 110x12x2	Article 38.1002.00
Material	Galvanised steel	
	110x12x2	38.1002.05



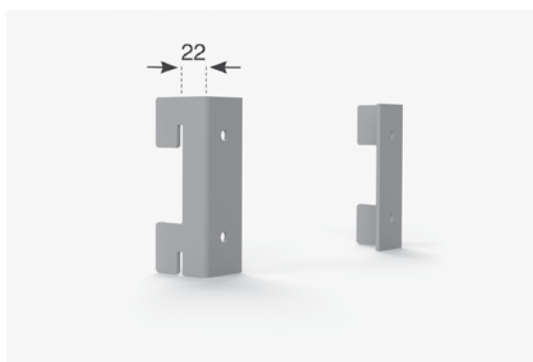
system 50 ①②③



Product **FASCIA BRACKET**  
Version Fascia bracket, sold in pairs.  
Material **Bare steel**

Sizes	Article
70x22x12	36.1006.00

system 50 ①②③



Product **FASCIA BRACKET XL**  
Version Fascia bracket XL, sold in pairs.  
Material **Bare steel**

Sizes	Article
70x42x22	36.1006XL.00



Product **TOOTH PLATE 1H**  
Version Back panel hook, sold individually.  
Material **Bare steel**

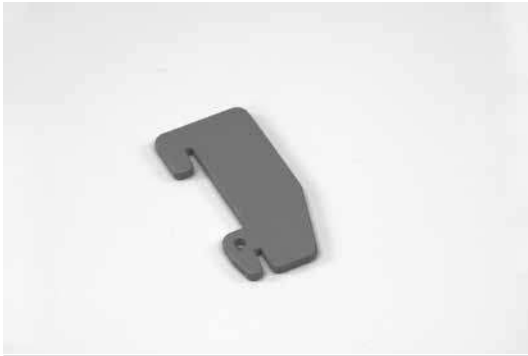
Sizes	Article
30x35x2	36.1008.00
30x35x3	36.1007.00

system 50 ②③



Product **TOOTH PLATE U**  
Version Tooth plate in U-shape, pitch 50. To be used in double perforation. For custom-made products.  
Material **Bare steel**

Sizes	Article
73x26x9x2	38.2005.00
73x26x11.5x2,5	38.2006.00

system 50 

Product **TOOTH PLATE 33.5**  
 Version Pitch 50 for custom-made products.  
 Material **Bare steel**

Sizes	Article
33.5x70x3	38.2001.00

system 50 

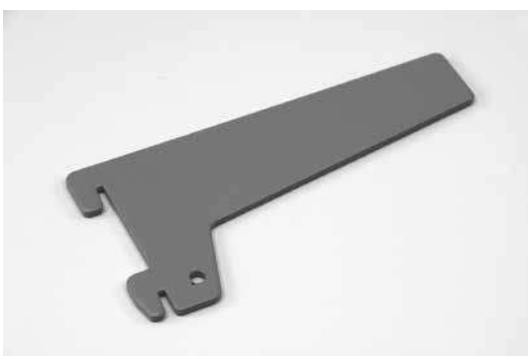
Product **TOOTH PLATE 50**  
 Version Pitch 50 for custom-made products.  
 Material **Bare steel**

Sizes	Article
50x70x3	38.2003.00

system 50 

Product **TOOTH PLATE 75**  
 Version Pitch 50 for custom-made products.  
 Material **Bare steel**

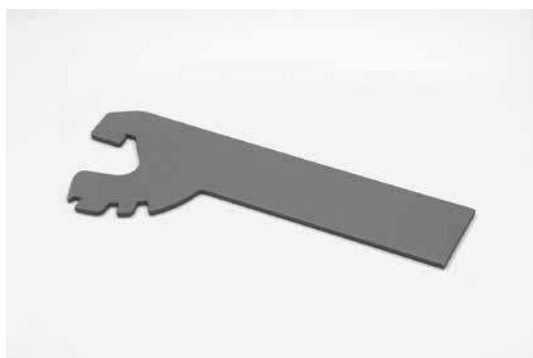
Sizes	Article
75x70x3	38.2007.00

system 50 

Product **TOOTH PLATE 140**  
 Version Pitch 50 for custom-made products.  
 Material **Bare steel**

Sizes	Article
140x70x2.5	38.2009.00

system **50**   



Product	<b>TOOTH PLATE 190</b>	
Version	Pitch 50 with 3 positions, for custom-made products.	
Material	<b>Bare steel</b>	
	Sizes	Article
	190x76x2.5	38.2010.00

system **35**  



Product	<b>TOOTH PLATE PITCH 35</b>	
Version	Pitch 35 for custom-made products.	
Material	<b>Bare steel</b>	
	Sizes	Article
	75x80x3	38.3012.00

system **35**  



Product	<b>TOOTH PLATE PITCH 35</b>	
Version	Pitch 35 for custom-made products.	
Material	<b>Bare steel</b>	
	Sizes	Article
	55x80x3	38.3013.00



Product	<b>HOOK PLATE FO</b>	
Version	Hook plate flat oval (30x15 mm) for custom-made products.	
Material	<b>Bare steel</b>	
	Sizes	Article
	40x40x4	38.4002.00



# TUBE system

WALL RAILS AND BRACKETS







**Legend**

- |   |                      |     |
|---|----------------------|-----|
| ① | Wall rail sp         | p38 |
| ② | Bracket turned var   | p40 |
| ③ | Tube fo              | p43 |
| ④ | Bracket fo           | p43 |
| ⑤ | Wall rail dp         | p38 |
| ⑥ | Bracket 2h           | p39 |
| ⑦ | Blister pack hook fo | p50 |
| ⑧ | Support bar          | p45 |

system 50 ①

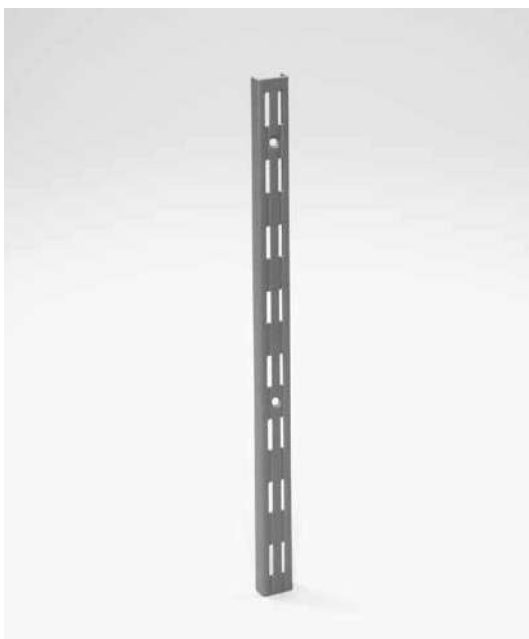
Perforation 25 x 4 mm



Product	<b>WALL RAIL SP</b>				
Version	Wall rail, light version with single perforation. Pitch 50 mm. Perforation size 25 x 4 mm. Sold in pairs.				
Material	Steel Ral 9006				
	17	12	1000	SP	16.1023.02
	17	12	1500	SP	16.1024.02
	17	12	2000	SP	16.1025.02
	17	12	2500	SP	16.1026.02
Material	Black steel				
	17	12	1000	SP	16.1023.08
	17	12	1500	SP	16.1024.08
	17	12	2000	SP	16.1025.08
Material	White steel				
	17	12	1000	SP	16.1023.09
	17	12	1500	SP	16.1024.09
	17	12	2000	SP	16.1025.09
	17	12	2500	SP	16.1026.09

system 50 ②

Perforation 25 x 4 mm



Product	<b>WALL RAIL DP</b>				
Version	Wall rail, light version with double perforation. Pitch 50 mm. Perforation size 25 x 4 mm. Sold in pairs.				
Material	Steel Ral 9006				
	25	12	1000	DP	16.1033.02
	25	12	1500	DP	16.1034.02
	25	12	2000	DP	16.1035.02
	25	12	2500	DP	16.1036.02
Material	Black steel				
	25	12	1000	DP	16.1033.08
	25	12	1500	DP	16.1034.08
	25	12	2000	DP	16.1035.08
Material	White steel				
	25	12	1000	DP	16.1033.09
	25	12	1500	DP	16.1034.09
	25	12	2000	DP	16.1035.09
	25	12	2500	DP	16.1036.09



system 50 ①②

Product	<b>BRACKET TURNED 2H</b>		
Version	Turned bracket with two tooth hooks. Suitable for wall thickness 2 mm. Sold in pairs (L+R).		
Material	Steel Ral 9006		
	Load	Length	Article
	50 kg per pair	180	43.7001.02
	50 kg per pair	230	43.7002.02
	50 kg per pair	280	43.7003.02
	50 kg per pair	330	43.7004.02
	50 kg per pair	380	43.7005.02
Material	Black steel		
	50 kg per pair	180	43.7001.08
	50 kg per pair	230	43.7002.08
	50 kg per pair	280	43.7003.08
	50 kg per pair	330	43.7004.08
	50 kg per pair	380	43.7005.08
Material	White steel		
	50 kg per pair	180	43.7001.09
	50 kg per pair	230	43.7002.09
	50 kg per pair	280	43.7003.09
	50 kg per pair	330	43.7004.09
	50 kg per pair	380	43.7005.09



system 50 ①②

Product	<b>BRACKET TURNED 3H</b>		
Version	Turned bracket with three tooth hooks. Suitable for wall thickness 2 mm. Sold in pairs (L+R).		
Material	Steel Ral 9006		
	Load	Length	Article
	60 kg per pair	480	43.7006.02
Material	Black steel		
	60 kg per pair	480	43.7006.08
Material	White steel		
	60 kg per pair	480	43.7006.09



system 35 ①②

Product	<b>BRACKET TURNED PITCH 35</b>	
Version	Turned bracket. Pitch 35. Suitable for wall thickness 2 mm. Sold in pairs (L+R).	
Material	Bare steel	
	Length	Article
	205	43.3001.00
	255	43.3002.00
	305	43.3003.00
	355	43.3004.00
	405	43.3005.00
	This product will be given a powder coat in the desired colour.	



Product **BRACKET TURNED VAR**  
 Version Turned bracket for screwing at various angles (10°, 20° and 30°).  
 Suitable for wall thickness 2 mm. Sold in pairs (L+R).  
 Material Steel Ral 9006

Load	Length	Article
55 kg per pair	200	43.1021.02
55 kg per pair	250	43.1022.02
55 kg per pair	300	43.1016.02
55 kg per pair	350	43.1023.02
55 kg per pair	400	43.1020.02
Material Black steel		
55 kg per pair	200	43.1021.08
55 kg per pair	250	43.1022.08
55 kg per pair	300	43.1016.08
55 kg per pair	350	43.1023.08
55 kg per pair	400	43.1020.08
Material White steel		
55 kg per pair	200	43.1021.09
55 kg per pair	250	43.1022.09
55 kg per pair	300	43.1016.09
55 kg per pair	350	43.1023.09
55 kg per pair	400	43.1020.09



Product **BRACKET 2H**  
 Version Shelf bracket with two tooth hooks. Suitable for wall thickness 2 mm.  
 Sold in pairs.  
 Material Steel Ral 9006

Load	Length	Article
55 kg per pair	150	43.1031.02
55 kg per pair	200	43.1032.02
55 kg per pair	250	43.1033.02
55 kg per pair	300	43.1034.02
55 kg per pair	350	43.1035.02
55 kg per pair	400	43.1036.02
Material Black steel		
55 kg per pair	150	43.1031.08
55 kg per pair	200	43.1032.08
55 kg per pair	250	43.1033.08
55 kg per pair	300	43.1034.08
55 kg per pair	350	43.1035.08
55 kg per pair	400	43.1036.08
Material White steel		
55 kg per pair	150	43.1031.09.1
55 kg per pair	200	43.1032.09.1
55 kg per pair	250	43.1033.09.1
55 kg per pair	300	43.1034.09.1
55 kg per pair	350	43.1035.09.1
55 kg per pair	400	43.1036.09.1

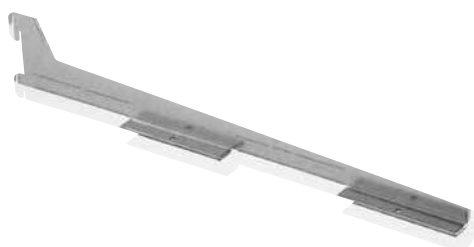




Product **GLASS BUFFERS UNI**  
 Version Universal model for hole Ø5.2 mm. Pack of 100 pcs.  
 Material Clear plastic

Article
43.1002.30

system 50 ① ② ③



Product **CANOPY BRACKET**  
 Version A two-sided turned bracket for screwing down a canopy. Suitable for wall thickness 2-2.5 mm. Sold individually.  
 Material Galvanised steel

Length	Article
280	43.7103.05
380	43.7105.05
480	43.7106.05

system 35/50 ① ② ③



Product **GLASS SHELF HOLDER**  
 Version Bracket for 8 mm glass shelf. Suitable for wall thickness 2.5 mm. Sold individually. Note: at least two required.  
 Material Bare steel

Length	Article
74	43.2005.00

system 50 ① ②



Product **GLASS BRACKET**  
 Version Bracket for 8-10 mm glass shelf. Suitable for wall thickness 2-2.5 mm. Sold in pairs (L+R). Includes clamp screws.  
 Material Bare steel

Load	Length	Article
45 kg per pair	112	43.2003.00

Material	Load	Length	Article
Chrome-plated steel	45 kg per pair	112	43.2003.06



Product	<b>GLASS HOLDER PITCH 35/50</b>	
Version	Bracket for 8 mm glass shelf. Pitch 35 and 50 mm. Suitable for wall thickness 2-2.5 mm. Sold in pairs (L+R). Includes clamp screws.	
Material	Steel Ral 9006	
	Length	Article
	81	43.2002.02
Material	Steel Ral 9010	
	81	43.2002.09
Material	Steel Ral 9007	
	81	43.2002.15



Product	<b>GLASS HOLDER 32</b>	
Version	Bracket for 8 mm glass shelf. Suitable for hole lines, pitch 32 mm. Sold in pairs (L+R). Includes clamp screws.	
Material	Steel Ral 9006	
	Length	Article
	81	43.2012.02



Product	<b>BRACKET TURNED</b>	
Version	Bracket for inserting wooden shelf. Suitable for wall thickness 2 mm. Sold in pairs (L+R).	
Material	Bare steel	
	Length	Article
	180	43.7041.00
	230	43.7042.00
	280	43.7043.00
	330	43.7044.00
	380	43.7045.00
	480	43.7046.00



Product	<b>BRACKET FO</b>		
Version	Bracket for flat oval tube 30x15 mm, available with 2 tooth hooks and 3 tooth hooks.		
Material	Steel RAL9006		
	Type	Length	Article
	2 hooks	250	43.6005.02
	3 hooks	330	43.6001.02
Material	White steel		
	Type	Length	Article
	2 hooks	250	43.6005.09
	3 hooks	330	43.6001.09



Product	<b>TUBE FO</b>		
Version	Chrome-plated flat oval tube.		
Material	Chrome-plated steel		
	Sizes	Length	Article
	30x15x1.5	3000	60.1008.06



Product	<b>WALL LOOP FO</b>		
Version	Wall loop for flat oval tube 30x15 mm.		
Material	Chrome-plated steel		
			Article
			60.1007.06



Product	<b>CAP FO</b>		
Version	End cap for tube 30x15 flat oval.		
Material	Plastic black		
	Sizes	Article	
	fo 30x15x1.2-2	31.3101.31	
Material	Plastic chrome-plated		
	fo 30x15x1.2-2	31.3101.36	



**TUBE** *system*

CHROME PARTS







system 50 ①



Product	<b>SUPPORT BAR</b>		
Version	Support bar, flat oval tube.		
Material	Chrome-plated steel		
	Sizes	Width	Article
	fo 30x15x1.4	c/c 625	50.1004.06
	fo 30x15x1.4	c/c 665	50.1001.06
	fo 30x15x1.4	c/c 1000	50.1002.06
	fo 30x15x1.4	c/c 1250	50.1003.06
	fo 30x15x2	c/c 1250	50.1013.06

system 50 ①②



Product	<b>SUPPORT BAR FLEXIBLE LENGTH</b>		
Version	Support bar, flat oval tube. With a tooth plate that slides in on one side, this support bar can be shortened (cut) to the desired c/c size.		
Material	Chrome-plated steel		
	Sizes	Width	Article
	fo 30x15x1.4	c/c < 1000	50.1022.06
	fo 30x15x2	c/c < 1250	50.1023.06

system 50 ①②



Product	<b>HANGING BRACKET HOOKABLE</b>			
Version	Hanging bracket, flat oval tube. For support bar fo. With balls at the corners.			
Material	Chrome-plated steel			
	Sizes	Width	Depth	Article
	fo 30x15x1.4	c/c 600	300	50.3207.06

system 50 ①②

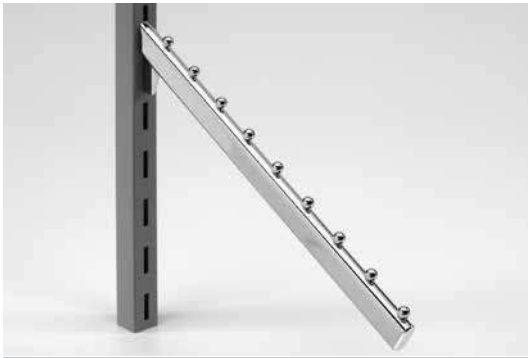


Product	<b>HANGING BRACKET BALL</b>			
Version	Hanging bracket, flat oval tube. With balls at the corners.			
Material	Chrome-plated steel			
	Sizes	Width	Depth	Article
	fo 30x15x1.4	c/c 625	250	50.2008.06
	fo 30x15x1.4	c/c 625	330	50.2007.06
	fo 30x15x1.4	c/c 665	250	50.2005.06
	fo 30x15x1.4	c/c 665	330	50.2003.06
	fo 30x15x1.4	c/c 1000	250	50.2001.06
	fo 30x15x1.4	c/c 1000	330	50.2002.06
	fo 30x15x1.4	c/c 1250	250	50.2004.06
	fo 30x15x1.4	c/c 1250	330	50.2006.06
	fo 30x15x2	c/c 1250	330	50.2016.06



Product **HANGING BRACKET PIN**  
 Version Hanging bracket, flat oval tube. Mitre-welded for more hanger space.  
 With pins at the corners.  
 Material **Chrome-plated steel**

Sizes	Width	Depth	Article
fo 30x15x1.5	c/c 625	330	50.2027.06
fo 30x15x1.5	c/c 665	330	50.2023.06
fo 30x15x1.5	c/c 1000	330	50.2022.06
fo 30x15x1.5	c/c 1250	330	50.2026.06



Product **SLOPING ARM SP BALL**  
 Version Sloping arm for clothes hangers with 8/9 balls. Hookable into upright.  
 SP version.  
 Material **Chrome-plated steel**

Version	Length	Article
8 balls	300	50.3019.06
9 balls	400	50.3009.06



Product **FRONT PRESENTATION SP BALL**  
 Version Straight arm for clothes hangers. With ball at the end. Hookable into upright. SP version.  
 Material **Chrome-plated steel**

Length	Article
300	50.3029.06
400	50.3028.06



Product **SUPPORT BAR PITCH 35**  
 Version Support bar for pitch 35 mm. With a tooth plate that slides in on one side, this support bar can be shortened (cut) to the desired c/c size.  
 Material **Chrome-plated steel**

Sizes	Width	Article
fo 30x15x2	c/c < 1250	51.1023.06



Product **FRONT PRESENTATION FO BALL**  
 Version Straight arm for clothes hangers with ball at the end. Hookable over flat oval support bar.

Material **Chrome-plated steel**

Length	Article
300	50.3014.06
400	50.3012.06



Product **FRONT PRESENTATION FO PIN**  
 Version Straight arm for clothes hangers. With pin at the end. Hookable over flat oval support bar.

Material **Chrome-plated steel**

Length	Article
300	50.3032.06
400	50.3020.06



Product **SLOPING ARM FO BALL**  
 Version Sloping arm for clothes hangers with 8/9 balls. Hookable over flat oval support bar.

Material **Chrome-plated steel**

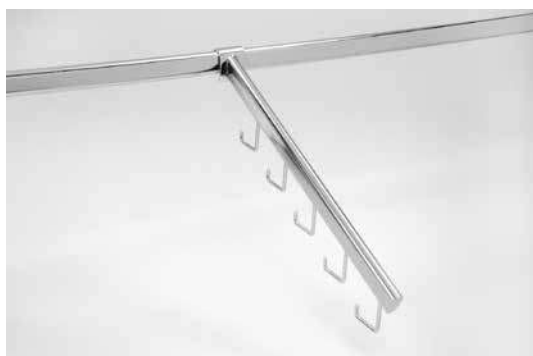
Version	Length	Article
8 balls	300	50.3001.06
9 balls	400	50.3002.06



Product **SLOPING ARM FO PIN**  
 Version Sloping arm for clothes hangers with 9 pins. Hookable over flat oval support bar.

Material **Chrome-plated steel**

Version	Length	Article
9 pins	400	50.3034.06



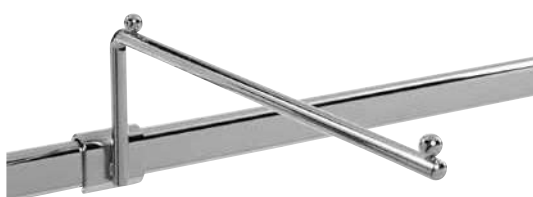
Product	<b>BAG ARM FO</b>		
Version	Bag presentation with 5 hooks. Hookable over flat oval support bar.		
Material	Chrome-plated steel		
	Length	Article	
	400	50.3013.06	



Product	<b>RAISED HOLDER FO</b>			
Version	Raised straight front arm for clothes hangers. Hookable over flat oval support bar.			
Material	Chrome-plated steel			
	Sizes	Height	Depth	Article
	fo 30x15	250	400	50.3021.06



Product	<b>STEPPED ARM FO</b>			
Version	Stepped arm for clothes hangers. Hookable over flat oval support bar.			
Material	Chrome-plated steel			
	Sizes	Height	Depth	Article
	fo 30x15	160	400	50.3052.06



Product	<b>RAISED HOOK FO</b>			
Version	Raised straight front hook for clothes hangers. Hookable over flat oval support bar.			
Material	Chrome-plated steel			
	Diameter	Height	Depth	Article
	Ø10	100	300	50.3051.06



Product **RAISED SLOPING ARM FO**  
 Version Raised sloping hook for clothes hangers with 5 balls. Hookable over flat oval support bar.  
 Material Chrome-plated steel

Diameter	Article
Ø10	50.3050.06



Product **TRUMPET HOOK FO**  
 Version Extendable sock/tie holder. Hookable over flat oval support bar.  
 Material Chrome-plated steel

Length	Article
300-540	50.3008.06



Product **BALL RING FO**  
 Version Holder for presenting balls. Hookable over flat oval support bar.  
 Material Chrome-plated steel

Diameter	Width	Depth	Article
Ø6	Ø150	270	50.3025.06



Product **HAT RING FO**  
 Version Holder for presenting hats and caps. Hookable over flat oval support bar.  
 Material Chrome-plated steel

Sizes	Height	Width	Length	Article
Ø7	155	Ø80	270	50.3022.06



Product **PRESENTATION HOOK FO**  
 Version Single hook turned 20° at the end. Hookable over flat oval support bar.  
 Material Chrome-plated steel

Sizes	Length	Article
Ø4.5	50	50.3015.06
Ø4.5	150	50.3003.06
Ø4.5	250	50.3004.06
Ø7	50	50.3016.06
Ø7	150	50.3005.06
Ø7	250	50.3006.06
Ø10	300	50.3017.06
Ø10	400	50.3018.06



Product **BLISTER PACK HOOK FO**  
 Version Double blister pack hook turned 20° at the end. Hookable over flat oval support bar.  
 Material Chrome-plated steel

Sizes	Length	Article
Ø4	100	50.3090.06
Ø4	150	50.3091.06
Ø4	200	50.3092.06
Ø4	250	50.3093.06



Product **PRESENTATION HOOK RE**  
 Version Single hook turned 90° at the end. Hookable over support bar for rectangular tube 30x15 mm.  
 Material Chrome-plated steel

Sizes	Length	Article
Ø6	100	50.4001.06
Ø6	150	50.4003.06
Ø6	200	50.4005.06
Ø8	250	50.4007.06
Ø8	300	50.4009.06
Ø8	350	50.4011.06
Ø8	400	50.4013.06



Product **STEPPED HOOK RE**  
 Version Stepped hook with two balls. Hookable over support bar for rectangular tube 30x15.  
 Material Chrome-plated steel

Sizes	Height	Depth	Article
Ø6	35	200	50.4020.06



Product **ROUND TUBE 25**  
 Version Chrome-plated round tube.  
 Material Chrome-plated steel

Sizes	Length	Article
Ø25x1.5	3000	60.1004.06



Product **FLANGE 25**  
 Version Wall flange for tube Ø25 mm. Incl. clamping bolt.  
 Material Chrome-plated steel

Sizes	Depth	Article
Ø57 / Ø25.5	11	60.1005.06



Product **CAP Ø**  
 Version Chrome cap for tube Ø25 mm.  
 Material Plastic chrome-plated

Sizes	Article
Ø25x1.5 - 2	31.6004.36



Product **BRACKET FO**  
 Version Bracket for flat oval tube 30x15 mm, available with 2 tooth hooks and 3 tooth hooks.  
 Material Steel RAL9006

Type	Length	Article
2 hooks	250	43.6005.02
3 hooks	330	43.6001.02

Material	White steel	
Type	Length	Article
2 hooks	250	43.6005.09
3 hooks	330	43.6001.09



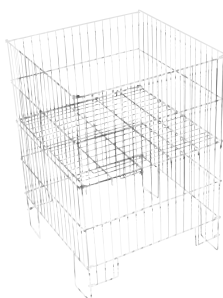
Product	<b>TUBE FO</b>		
Version	Chrome-plated flat oval tube.		
Material	Chrome-plated steel		
	Sizes	Length	Article
	30x15x1.5	3000	60.1008.06



Product	<b>WALL LOOP FO</b>		
Version	Wall loop for flat oval tube 30x15 mm.		
Material	Chrome-plated steel		
			Article
			60.1007.06

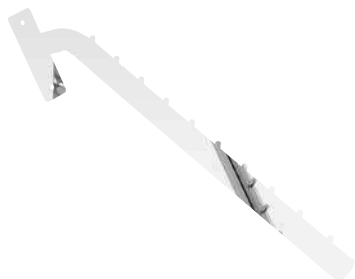


Product	<b>CAP FO</b>		
Version	End cap for flat oval tube 30x15 mm.		
Material	Plastic black		
	Sizes		Article
	fo 30x15x1.2-2		31.3101.31
Material	Plastic chrome-plated		
	fo 30x15x1.2-2		31.3101.36



Product	<b>BULK BASKET</b>			
Version	Wire basket with adjustable bottom height. Ideal for bulk presentation.			
Material	Galvanised steel			
	Height	Width	Depth	Article
	800	550	400	62.1005.05
	800	550	550	62.1007.05
	800	550	900	62.1009.05





Product **SLOPING ARM WALL-MOUNTED**  
 Version Sloping arm Ø25 mm for clothes hangers with 5 or 10 pins. Wall-mounted using screws.

Material **Chrome-plated steel**

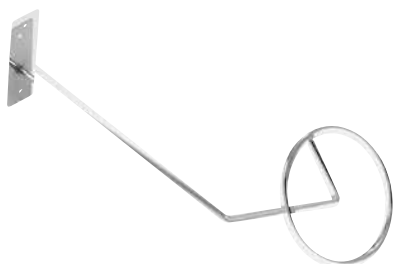
Version	Length	Article
5 pins	200	52.2020.06
10 pins	400	52.2030.06



Product **BALL RING WALL-MOUNTED**  
 Version Holder for balls. Wall-mounted using screws.

Material **Chrome-plated steel**

Diameter	Width	Length	Article
Ø6	Ø130	250	52.1000.06



Product **HAT RING WALL-MOUNTED**  
 Version Holder for hats and caps. Wall-mounted using screws. Turned up 45° after 250 mm.

Material **Chrome-plated steel**

Diameter	Width	Length	Article
Ø6	Ø110	390	52.1001.06



Product **TRUMPET HOOK WALL-MOUNTED**  
 Version Extendable sock/tie holder. Wall-mounted using screws.

Material **Chrome-plated steel**

Length	Article
310-550	52.2001.06



Product **PRESENTATION HOOK WALL-MOUNTED**  
Version **Single hook turned 45° at the end. Wall-mounted using screws.**  
Material **Chrome-plated steel**

Diameter	Length	Article
Ø6	150	52.1002.06
Ø6	200	52.1006.06
Ø6	250	52.1007.06
Ø6	300	52.1009.06

**TUBE** *system*

RAW







**Legend**

- ① Wall rail sp p56
- ② Bracket turned var p40
- ③ Tube fo p52
- ④ Bracket fo p51
- ⑤ Wall rail dp p56
- ⑥ Bracket 2h p40
- ⑦ Blister pack hook fo p50
- ⑧ Support bar p57



**Legend**

- ① Square tube 30/30 dp 1-s p5
- ② Wall bracket p31
- ③ Rear insertion bracket p60
- ④ Sloping arm fo ball p47
- ⑤ Support bar p57
- ⑥ Front presentation fo p47
- ⑦ Adjustable feet p24/25

system 50 ①

Perforation 25 x 4 mm



Product **WALL RAIL SP**  
 Version **Wall rail, light version with single perforation. Pitch 50 mm.**  
**Perforation size 25 x 4 mm. Sold in pairs.**

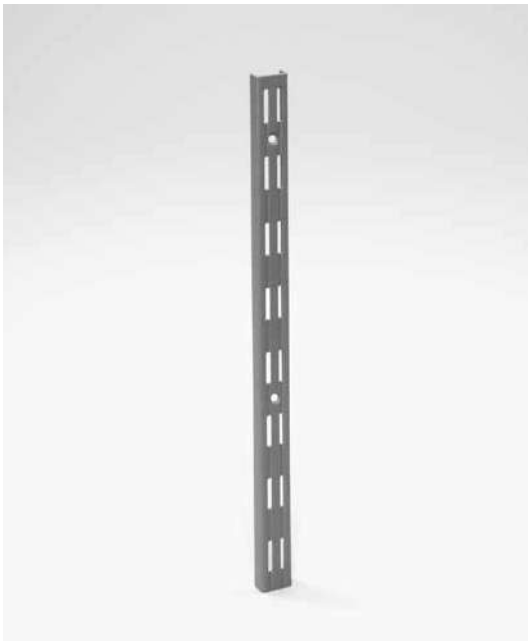
Material **Bare steel**

Width	Depth	Length	Perforation	Article
17	12	1000	SP	16.1023.00
17	12	1500	SP	16.1024.00
17	12	2000	SP	16.1025.00
17	12	2500	SP	16.1026.00

This product will be given a powder coat in the desired colour.

system 50 ①

Perforation 25 x 4 mm



Product **WALL RAIL DP**  
 Version **Wall rail, light version with double perforation. Pitch 50 mm.**  
**Perforation size 25 x 4 mm. Sold in pairs.**

Material **Bare steel**

Width	Depth	Length	Perforation	Article
25	12	1000	DP	16.1033.00
25	12	1500	DP	16.1034.00
25	12	2000	DP	16.1035.00
25	12	2500	DP	16.1036.00

This product will be given a powder coat in the desired colour.

system 50 ①

Perforation 28 x 5.2 mm



Product **WALL RAIL SP HEAVY**  
 Version **Wall rail, heavy version with single perforation. Pitch 50 mm.**  
**Perforation size 28 x 5.2 mm. Sold individually.**

Material **Bare steel**

Width	Depth	Length	Perforation	Article
21	23.5	2400	SP	16.3001.00

This product will be given a powder coat in the desired colour.

**system 50**

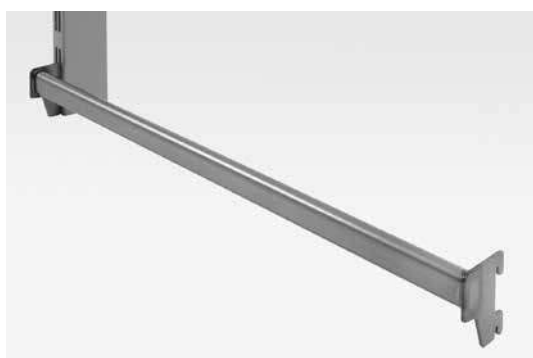
Perforation 28 x 5 mm



Product **WALL RAIL DP HEAVY**  
 Version Wall rail, heavy version with double perforation. Pitch 50 mm.  
 Perforation size 28 x 5 mm. Sold individually.  
 Material **Bare steel**

Width	Depth	Length	Perforation	Article
30	23.5	2400	DP	16.3003.00

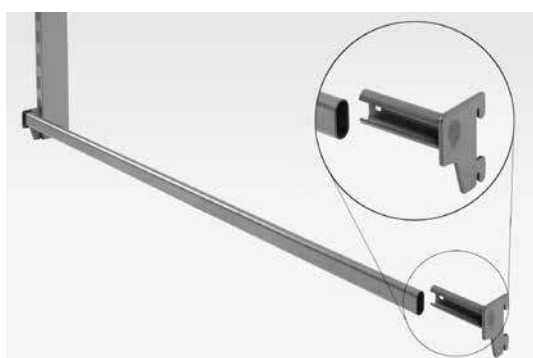
This product will be given a powder coat in the desired colour.



Product **SUPPORT BAR**  
 Version Support bar, flat oval tube.  
 Material **Bare steel**

Sizes	Width	Article
fo 30x15x1.4	c/c 625	50.1004.00
fo 30x15x1.4	c/c 1000	50.1002.00
fo 30x15x1.4	c/c 1250	50.1003.00

This product will be given a powder coat in the desired colour.



Product **SUPPORT BAR FLEXIBLE LENGTH**  
 Version Support bar, flat oval tube. With a tooth plate that slides in on one side, this support bar can be shortened (cut) to the desired c/c size.  
 Material **Bare steel**

Sizes	Width	Article
fo 30x15x1.4	c/c 1000	50.1022.00
fo 30x15x2	c/c 1250	50.1023.00

This product will be given a powder coat in the desired colour.



Product **HANGING BRACKET + STRIP**  
Version Hanging bracket from flat oval tube. Mitre-welded for maximum clothes hanger space. With pins at the corners and chrome adhesive strip to protect coating and for easy sliding of hangers.

Material **Bare steel**

Sizes	Width	Depth	Article
fo 30x15x1.2	c/c 625	330	50.5003.00
fo 30x15x1.2	c/c 665	330	50.5005.00
fo 30x15x1.2	c/c 1000	330	50.5007.00
fo 30x15x1.2	c/c 1250	330	50.5009.00



Product **FRONT PRESENTATION FO + STRIP**  
Version Straight arm for clothes hangers. With pin at the end and chrome adhesive strip to protect coating and for easy sliding of hangers. Hookable over flat oval support bar.

Material **Bare steel**

Length	Article
300	50.5020.00
400	50.5022.00



Product **FRONT HOOK FO + STRIP**  
Version Straight hook for clothes hangers. With pin at the end and chrome adhesive strip to protect coating and for easy sliding of hangers. Hookable over flat oval support bar.

Material **Bare steel**

Sizes	Length	Article
Ø15	350	50.5025.00



Product **SLOPING ARM FO PIN**  
Version Sloping arm for clothes hangers with 9 pins. Hookable over flat oval support bar.

Material **Bare steel**

Sizes	Length	Article
9 pins	400	50.5032.00





Product **STEPPED ARM FO + STRIP**  
 Version Stepped arm for clothes hangers. With pins at the end and chrome adhesive strips to protect coating and for easy sliding of hangers. Hookable over flat oval support bar.  
 Material **Bare steel**

Height	Depth	Article
160	400	50.5052.00



Product **PRESENTATION HOOK FO**  
 Version Single hook turned 90° at the end. Hookable over flat oval support bar 30x15 mm.  
 Material **Bare steel**

Sizes	Length	Article
Ø7	300	50.5048.00

system 50 ①②



Product **BRACKET TURNED 2H**  
 Version Turned bracket with two tooth hooks. Suitable for wall thickness 2 mm. Sold in pairs (L+R).  
 Material **Bare steel**

Load	Length	Article
50 kg per pair	180	43.7001.00
50 kg per pair	230	43.7002.00
50 kg per pair	280	43.7003.00
50 kg per pair	330	43.7004.00
50 kg per pair	380	43.7005.00

system 50 ①②



Product **BRACKET TURNED 3H**  
 Version Turned bracket with three tooth hooks. Suitable for wall thickness 2 mm. Sold in pairs (L+R).  
 Material **Bare steel**

Load	Length	Article
60 kg per pair	480	43.7006.00

system 50 

Product	<b>BRACKET WOOD/GLASS</b>		
Version	Adjustable turned bracket for wooden/glass shelf. Hookable in three positions (0°, 20° and 35°). Suitable for wall thickness 2.5 mm. Sold in pairs (L+R).		
Material	Bare steel		

Load	Length	Article
100 kg per pair	270	40.1001.00
100 kg per pair	370	40.1002.00



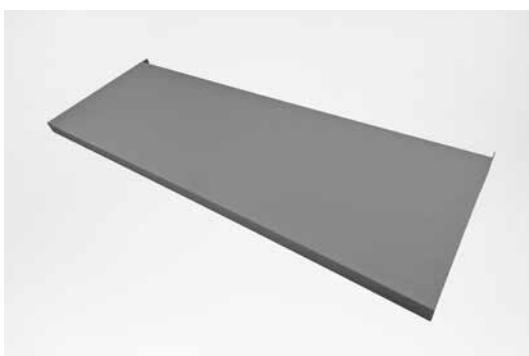
Product	<b>GLASS BUFFERS UNI</b>
Version	Universal model for hole Ø5.2 mm. Pack of 100 pcs.
Material	Clear plastic

Article
43.1002.30

system 50 

Product	<b>REAR INSERTION BRACKET</b>	
Version	Bracket for rear insertion. For square/rectangular tube 30 mm wide. Suitable for wall thickness 2 mm. Sold in pairs (L+R).	
Material	Bare steel	

Length	Article
350	43.7200.00

system 50 

Product	<b>STEEL SHELF</b>		
Version	Steel shelf, whole. Hookable into upright.		
Material	Bare steel		

Width	Depth	Article
625	350	50.5010.00
1000	350	50.5012.00
1250	350	50.5014.00

**TUBE** *system*

H-SYSTEM







**Legend**

- |   |                 |          |
|---|-----------------|----------|
| ① | Panel hooks     | p69      |
| ② | Back panel RL   | p65      |
| ③ | Shelf           | p68      |
| ④ | Bracket 2h      | p66      |
| ⑤ | Shelf           | p67      |
| ⑥ | Kick plate      | p64      |
| ⑦ | Back panel SW   | p65      |
| ⑧ | Wire basket     | line p25 |
| ⑨ | Upright 2-sided | p62/63   |
| ⑩ | Foot            | p64      |

system 50 Product **UPRIGHT 30/30 PERFORATED ON 2 SIDES**

Material Available in steel Ral 9001, 9005, 9006 and 7015.

Sizes	Length	Perforation	Article
30x30x2.5	1210	HP 2-s	11.3302.--
30x30x2.5	1410	HP 2-s	11.3303.--
30x30x2.5	1610	HP 2-s	11.3304.--
30x30x2.5	1810	HP 2-s	11.3305.--
30x30x2.5	2010	HP 2-s	11.3306.--
30x30x2.5	2210	HP 2-s	11.3307.--
30x30x2.5	2410	HP 2-s	11.3308.--
30x30x2.5	2610	HP 2-s	11.3309.--
30x30x2.5	2810	HP 2-s	11.3310.--
30x30x2.5	3010	HP 2-s	11.3311.--

system 50 Product **UPRIGHT 30/30 PERFORATED ON 4 SIDES**

Material Available in steel Ral 9001, 9005, 9006 and 7015.

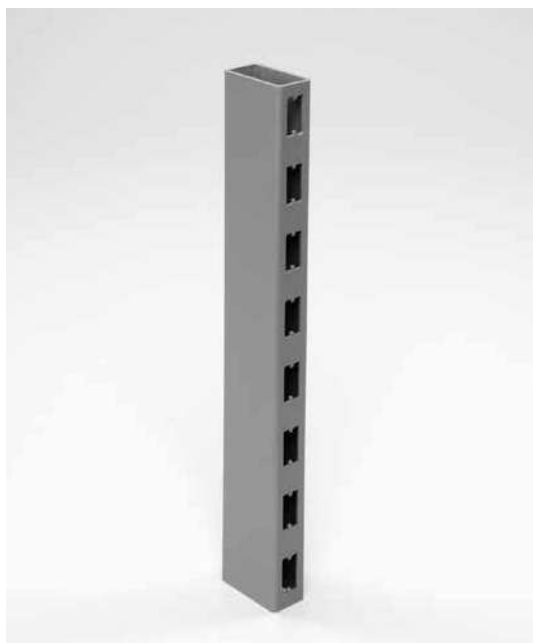
Sizes	Length	Perforation	Article
30x30x2.5	1210	HP 4-s	11.3322.--
30x30x2.5	1410	HP 4-s	11.3323.--
30x30x2.5	1610	HP 4-s	11.3324.--
30x30x2.5	1810	HP 4-s	11.3325.--
30x30x2.5	2010	HP 4-s	11.3326.--
30x30x2.5	2210	HP 4-s	11.3327.--
30x30x2.5	2410	HP 4-s	11.3328.--
30x30x2.5	2610	HP 4-s	11.3329.--
30x30x2.5	2810	HP 4-s	11.3330.--
30x30x2.5	3010	HP 4-s	11.3331.--

system 50 Product **UPRIGHT SUPPORT**

Version Metal adjustable foot Ø50 with aluminium tube insert 30x30 to give an upright extra support with a foot.

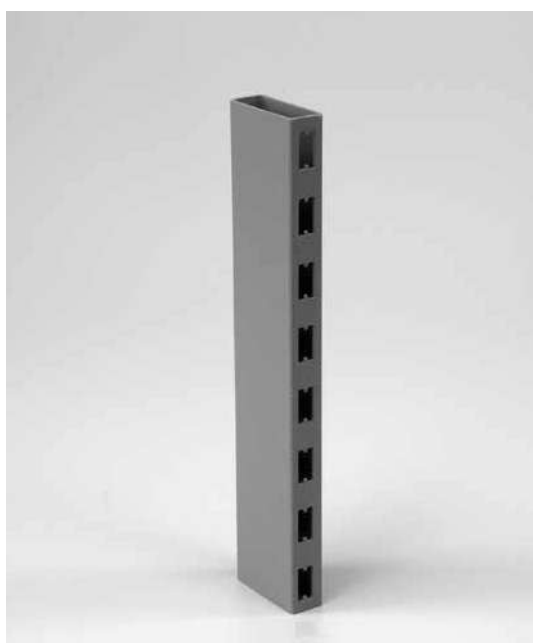
Material Galvanised steel and aluminium

Sizes	Article
Ø50 M10x50	32.5099.05



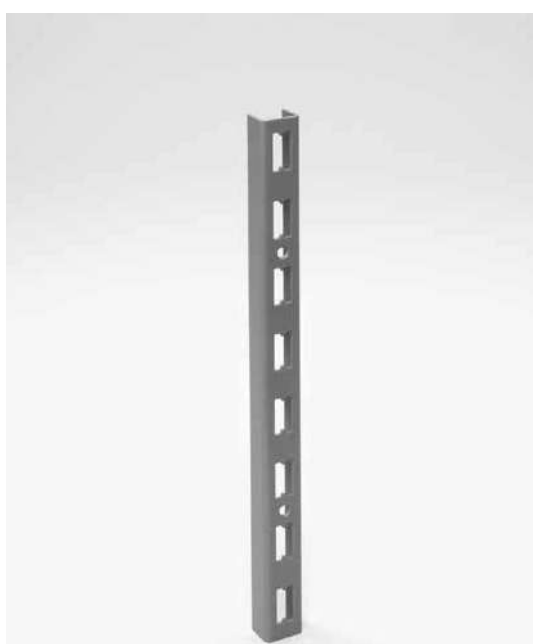
system 50

Product	<b>UPRIGHT 60/30 PERFORATED ON 2 SIDES</b>			
Material	Available in steel Ral 9001, 9005, 9006 and 7015.			
	Sizes	Length	Perforation	Article
	60x30x2.5	1210	HP 2-s	11.6302.--
	60x30x2.5	1410	HP 2-s	11.6303.--
	60x30x2.5	1610	HP 2-s	11.6304.--
	60x30x2.5	1810	HP 2-s	11.6305.--
	60x30x2.5	2010	HP 2-s	11.6306.--
	60x30x2.5	2210	HP 2-s	11.6307.--
	60x30x2.5	2410	HP 2-s	11.6308.--
	60x30x2.5	2610	HP 2-s	11.6309.--
	60x30x2.5	2810	HP 2-s	11.6310.--
	60x30x2.5	3010	HP 2-s	11.6311.--



system 50

Product	<b>UPRIGHT 80/30 PERFORATED ON 2 SIDES</b>			
Material	Available in steel Ral 9001, 9005, 9006 and 7015.			
	Sizes	Length	Perforation	Article
	80x30x2.5	1210	HP 2-s	11.8302.--
	80x30x2.5	1410	HP 2-s	11.8303.--
	80x30x2.5	1610	HP 2-s	11.8304.--
	80x30x2.5	1810	HP 2-s	11.8305.--
	80x30x2.5	2010	HP 2-s	11.8306.--
	80x30x2.5	2210	HP 2-s	11.8307.--
	80x30x2.5	2410	HP 2-s	11.8308.--
	80x30x2.5	2610	HP 2-s	11.8309.--
	80x30x2.5	2810	HP 2-s	11.8310.--
	80x30x2.5	3010	HP 2-s	11.8311.--
	80x30x2.5	3210	HP 2-s	11.8313.--
	80x30x2.5	3410	HP 2-s	11.8314.--



system 50

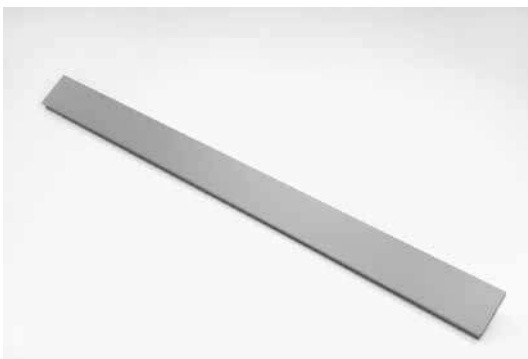
Product	<b>WALL RAIL HP</b>			
Material	Available in steel Ral 9001, 9005, 9006 and 7015.			
	Height	Width	Length	Perforation
	23.5	30	1600	HP
	23.5	30	2400	HP
				Article
				16.3005.--
				16.3004.--



Product	<b>FOOT</b>		
Version	Foot including comb.		
Material	Available in steel Ral 9001, 9005, 9006 and 7015.		
	Height	Depth	Article
	160	370	48.1001.--
	160	470	48.1002.--
	160	570	48.1003.--



Product	<b>KICK PLATE</b>		
Version	Finishing kick plate.		
Material	Available in steel Ral 9001, 9005, 9006 and 7015.		
	Height	Length	Article
	160	c/c 665	49.1001.--
	160	c/c 1000	49.1002.--
	160	c/c 1250	49.1003.--



Product	<b>COVERING CAP</b>		
Version	Covering cap.		
Material	Available in steel Ral 9001, 9005, 9006 and 7015.		
	Depth	Length	Article
	60	c/c 665	44.1003.--
	60	c/c 1000	44.1002.--
	60	c/c 1250	44.1004.--

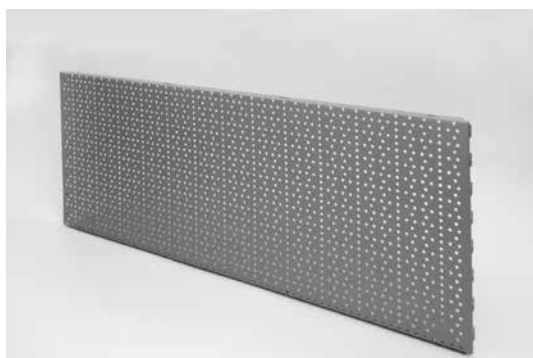


system 50 ①



Product	<b>BACK PANEL</b>		
Version	Smooth.		
Material	Available in steel Ral 9001, 9005, 9006 and 7015.		
	Height	Width	Article
	100	c/c 665	45.1001.--
	200	c/c 665	45.1002.--
	300	c/c 665	45.1003.--
	400	c/c 665	45.1004.--
	100	c/c 1000	45.2001.--
	200	c/c 1000	45.2002.--
	300	c/c 1000	45.2003.--
	400	c/c 1000	45.2004.--
	100	c/c 1250	45.3001.--
	200	c/c 1250	45.3002.--
	300	c/c 1250	45.3003.--
	400	c/c 1250	45.3004.--

system 50 ①



Product	<b>BACK PANEL RL</b>		
Version	With Euro perforation.		
Material	Available in steel Ral 9001, 9005, 9006 and 7015.		
	Height	Width	Article
	400	c/c 665	46.1001.--
	400	c/c 1000	46.2001.--
	400	c/c 1250	46.3001.--

system 50 ①



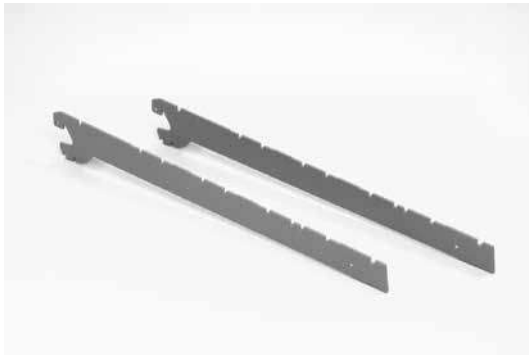
Product	<b>BACK PANEL SW</b>		
Version	With slatwall profiles, hookable into upright with H-perforation.		
Material	MDF White + Aluminium		
	Height	Width	Article
	400	665	65.1010.69
	400	1000	65.1011.69
	400	1250	65.1012.69

system 50 

Product **BRACKET WOOD/GLASS**  
 Version Adjustable turned bracket for wooden/glass shelf. Hookable in 3 positions (0°, 20° and 35°). Suitable for wall thickness 2.5 mm.  
 Sold in pairs (L+R).

Material Available in steel Ral 9001, 9005, 9006 and 7015.

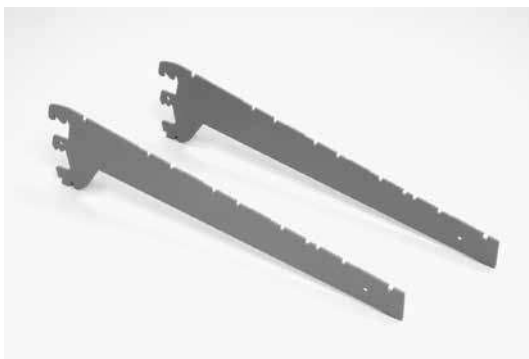
Load	Length	Article
100 kg per pair	170	40.1000.--
100 kg per pair	270	40.1001.--
100 kg per pair	370	40.1002.--
100 kg per pair	470	40.1003.--

system 50 

Product **BRACKET 2H**  
 Version Bracket for metal shelf. With two tooth hooks. Sold in pairs.

Material Available in steel Ral 9001, 9005, 9006 and 7015.

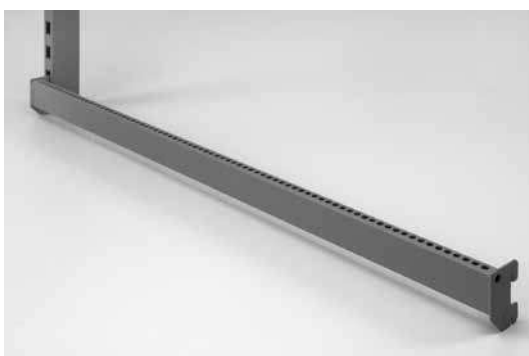
Length	Article
300	41.1004.--
370	41.1002.--
470	41.1003.--

system 50 

Product **BRACKET 3H**  
 Version Bracket for metal shelf. With three tooth hooks. Sold in pairs.

Material Available in steel Ral 9001, 9005, 9006 and 7015.

Length	Article
470	41.2001.--
570	41.2002.--

system 50 

Product **SUPPORT BAR**  
 Version Pin bar with round perforations.

Material Available in steel Ral 9001, 9005, 9006 and 7015.

Sizes	Width	Article
50x20	c/c 1000	49.9001.--

system **50** 



Product	<b>SHELF</b>		
Version	Metal shelf.		
Material	Available in steel Ral 9001, 9005, 9006 and 7015.		
	Width	Depth	Article
	c/c 665	300	47.1001.--
	c/c 665	370	47.1002.--
	c/c 665	470	47.1003.--
	c/c 665	570	47.1004.--
	c/c 1000	300	47.2001.--
	c/c 1000	370	47.2002.--
	c/c 1000	470	47.2003.--
	c/c 1000	570	47.2004.--
	c/c 1250	300	47.3001.--
	c/c 1250	370	47.3002.--
	c/c 1250	470	47.3003.--
	c/c 1250	570	47.3004.--

system **50** 



Product	<b>SCANNING RAIL</b>		
Version	For metal shelf.		
Material	Clear plastic		
	Height	Width	Article
	39	665	47.7002.30
	39	1000	47.7004.30
	39	1250	47.7006.30

system **50** 

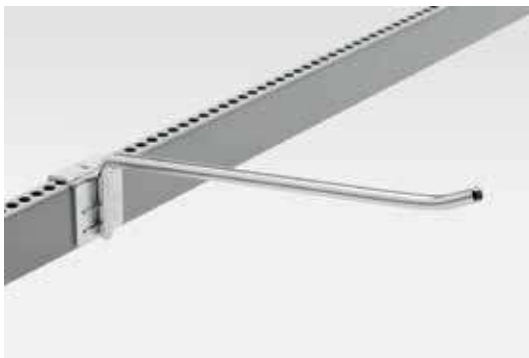


Product	<b>FRONT STRIP</b>		
Version	Front strip for metal shelf.		
Material	Clear plastic		
	Height	Width	Article
	75	1000	47.6001.30



Product **SHELF DIVIDER**  
 Version **Smooth divider for metal shelf.**  
 Material **Clear plastic**

Height	Depth	Article
75	370	47.6002.30
75	470	47.6003.30



Product **PRESENTATION HOOK SINGLE PB**  
 Version **Single presentation hook for pin bar 50x20.**  
 Material **Galvanised steel**

Sizes	Width	Length	Article
Ø8	Ø8	200	66.6064.05
Ø8	Ø8	250	66.6065.05
Ø8	Ø8	300	66.6066.05
Ø8	Ø8	400	66.6068.05
Ø10	Ø10	400	66.6078.05
Ø10	Ø10	500	66.6079.05



Product **SHELF**  
 Version **Metal shelf for perforated back panel.**  
 Material **Bare steel**

Width	Depth	Article
c/c 200	150	66.7003.--
c/c 300	200	66.7003.--

This product will be given a powder coat in the desired colour.



Product **PANEL HOOK SINGLE PITCH 15**  
 Version Single pin for a perforation pitch of 15 mm.  
 Material Galvanised steel

Sizes	Length	Article
Ø3.5 W15	60	66.1002.05
Ø3.5 W15	80	66.1003.05
Ø3.5 W15	100	66.1004.05
Ø3.5 W15	120	66.1005.05
Ø3.5 W15	140	66.1006.05
Ø3.5 W15	160	66.1007.05
Ø3.5 W15	200	66.1009.05
Ø3.5 W30	60	66.1022.05
Ø3.5 W30	80	66.1023.05
Ø3.5 W30	100	66.1024.05
Ø3.5 W30	120	66.1025.05
Ø3.5 W30	140	66.1026.05
Ø3.5 W30	160	66.1027.05
Ø3.5 W30	200	66.1029.05
Ø4.8 W30	150	66.1033.05
Ø4.8 W30	200	66.1034.05
Ø4.8 W30	250	66.1035.05
Ø4.8 W30	300	66.1036.05
Ø4.8 W30	350	66.1037.05



Product **PANEL HOOK SINGLE PITCH 25**  
 Version Single pin for a perforation pitch of 25 mm.  
 Material Galvanised steel

Sizes	Length	Article
Ø3.5 W25	60	66.2002.05
Ø3.5 W25	80	66.2003.05
Ø3.5 W25	100	66.2004.05
Ø3.5 W25	120	66.2005.05
Ø3.5 W25	140	66.2006.05
Ø3.5 W25	160	66.2007.05
Ø3.5 W25	200	66.2009.05
Ø4.8 W25	150	66.2033.05
Ø4.8 W25	200	66.2034.05
Ø4.8 W25	250	66.2035.05
Ø4.8 W25	300	66.2036.05
Ø4.8 W25	350	66.2037.05



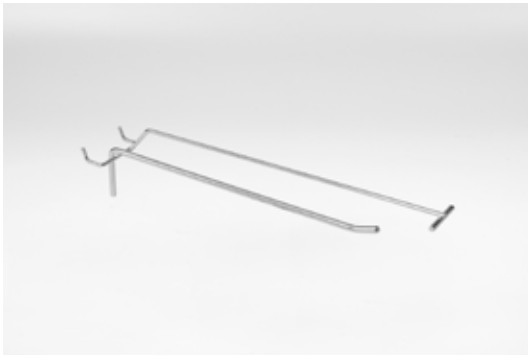
Product **PANEL HOOK DOUBLE PITCH 15**  
 Version Double pin for a perforation pitch of 15 mm.  
 Material Galvanised steel

Sizes	Length	Article
Ø4 W45	160	66.4002.05
Ø4 W45	200	66.4003.05
Ø4 W45	250	66.4004.05
Ø4 W45	300	66.4005.05
Ø4 W45	400	66.4007.05
Ø6 W45	300	66.4024.05
Ø6 W45	400	66.4026.05



Product **PANEL HOOK DOUBLE PITCH 25**  
 Version Double pin for a perforation pitch of 25 mm.  
 Material Galvanised steel

Sizes	Length	Article
Ø4 W50	160	66.5002.05
Ø4 W50	200	66.5003.05
Ø4 W50	250	66.5004.05
Ø4 W50	300	66.5005.05
Ø4 W50	400	66.5007.05
Ø6 W50	300	66.5024.05
Ø6 W50	400	66.5026.05



Product **PANEL HOOK T SINGLE PITCH 25**  
 Version Single pin for a perforation pitch of 25 mm. With T-piece for label holder.  
 Material Galvanised steel

Sizes	Length	Article
Ø6 W25	200	66.1259.05



Product **PANEL HOOK DOUBLE OPEN**  
 Version Double open pin for a perforation pitch of 15 and 25 mm.  
 Material Galvanised steel

Sizes	Length	Article
Ø3.5 W25-30	50	66.3011.05
Ø3.5 W25-30	100	66.3013.05
Ø3.5 W25-30	120	66.3014.05
Ø3.5 W25-30	140	66.3015.05
Ø3.5 W25-30	160	66.3016.05
Ø3.5 W25-30	200	66.3018.05



Product **LABEL HOLDER**  
 Version Holder for price labels. Clicks onto the T-piece of panel hooks.  
 Material Clear plastic

Height	Width	Article
26	44	66.0053.30
26	50	66.0054.30
40	45	66.0056.30
53	40	66.0055.30

**TUBE** *system*

EXCELLENCE





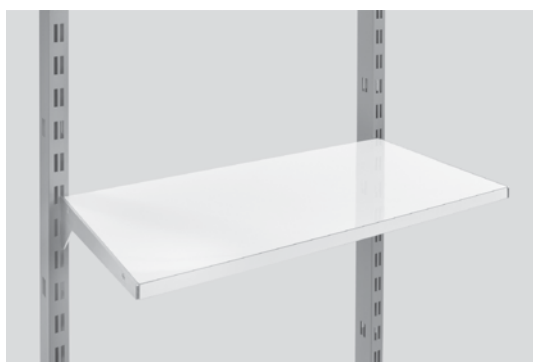


system 50 ①②



Product **TUBE / WALL PROFILE**  
 Version Refer to chapter 1 for the matching tubes / wall profiles with pitch 50 mm or contact us to find out what is possible.

system 50 ①②



Product **BRACKET WOOD**  
 Version Luxury bracket for 19 mm wooden shelf. Sold in pairs (L+R).  
 Material Brushed stainless steel

Length	Article
205	75.2.50T19.205
255	75.2.50T19.255
305	75.2.50T19.305
355	75.2.50T19.355
405	75.2.50T19.405
455	75.2.50T19.455

system 50 ①②



Product **GLASS BRACKET**  
 Version Single bracket for 8 mm glass shelf.  
 At least two pieces needed per shelf.  
 Material Stainless steel

Length	Article
75	75.2.50GT

system 50 ①②



Product **BRACKET GLASS**  
 Version Luxury turned glass bracket. Sold in pairs (L+R). Excludes glass buffers.  
 Material Brushed stainless steel

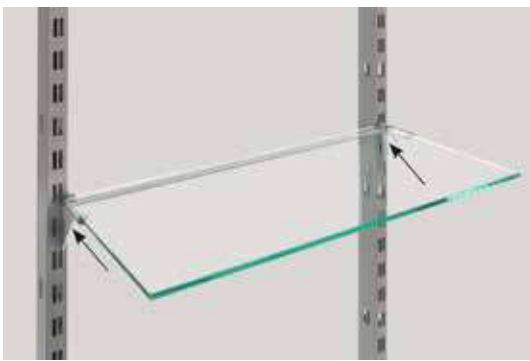
Length	Article
205	75.2.50WT205
255	75.2.50WT255
305	75.2.50WT305
355	75.2.50WT355
405	75.2.50WT405
455	75.2.50WT455



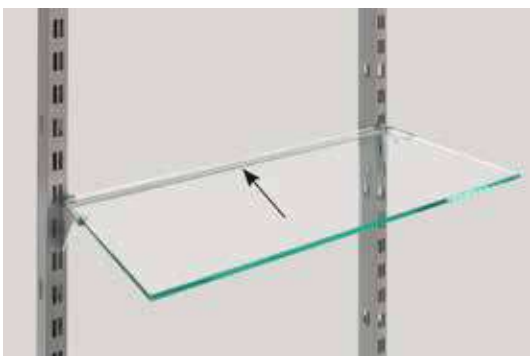
Product	<b>BRACKET</b>	
Version	Single glass bracket. Sold individually. Excludes glass buffers.	
Material	Brushed stainless steel	
	Length	Article
	205	75.2.50WTM205
	255	75.2.50WTM255
	305	75.2.50WTM305
	355	75.2.50WTM355
	405	75.2.50WTM405
	455	75.2.50WTM455



Product	<b>GLASS BUFFERS</b>	
Version	Clear glass buffer. Pack of 100 pcs.	
Material	Plastic	
		Article
		43.1002.30



Product	<b>GLASS HOLDER</b>	
Version	Holder for 8 mm glass shelf. Sold in pairs (L+R).	
Material	Brushed stainless steel	
	Length	Article
	90	75.2.50GT1



Product	<b>GLASS HOLDER</b>	
Version	Connection tube Ø10 mm complete with clamping sleeves. For 75.2.50GT1.	
Material	Brushed stainless steel	
	Sizes	Length
	c/c 600	588
	c/c 800	788
		Article
		75VR10.588
		75VR10.788

system 50 ①



Product **BRACKET Ø12**  
 Version Single glass bracket with Ø12 mm pin. Sold individually.  
 Includes mini glass buffers.  
 Material **Brushed stainless steel**

Length	Article
150	75.2.50GTR150
250	75.2.50GTR250

system 50 ①



Product **FRONT HOOK**  
 Version Front hook Ø25 mm with end pin. Sold individually.  
 Material **Brushed stainless steel**

Length	Article
100	75.2.50FHR1.G.1
200	75.2.50FHR1.G.2
300	75.2.50FHR1.G.3

system 50 ①②



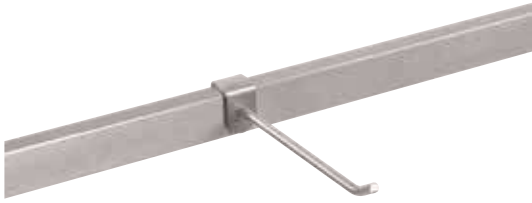
Product **SUPPORT BAR**  
 Version Support bar holder. Sold in pairs.  
 Material **Brushed stainless steel**

Depth	Article
35	75.2.50DT15.35



Product **SUPPORT BAR**  
 Version Rectangular tube 30x15 mm.  
 Material **Brushed stainless steel**

Sizes	Length	Article
c/c 600	588	75DR15.588
c/c 800	788	75DR15.788



Product	<b>PRESENTATION HOOK SUPPORT BAR</b>	
Version	Presentation hook Ø6 mm for support bar, turned up approximately 20° at the end. Sold individually.	
Material	Brushed stainless steel	

Length	Article
100	75EH15.6.100
150	75EH15.6.150
200	75EH15.6.200



Product	<b>FRONT HOOK SUPPORT BAR</b>	
Version	Front hook Ø25 mm with an end pin for support bar. Sold individually.	
Material	Brushed stainless steel	

Length	Article
100	75FHR15.25G100
200	75FHR15.25G200
300	75FHR15.25G300



Product	<b>SLOPING ARM</b>	
Version	Sloping front hook Ø25 mm with 5 pins for support bar. Sold individually.	
Material	Brushed stainless steel	

Length	Article
300	75FHR15.25S300



Product	<b>STEPPED ARM</b>	
Version	Stepped arm Ø25 mm for support bar. Sold individually.	
Material	Brushed stainless steel	

Length	Article
300	75FHR15.25Z300



Product **HANGING BRACKET**  
 Version Carrier arm for hanging bracket. Sold in pairs.  
 Material Brushed stainless steel

Depth	Article
300	75.2.50KT1B25



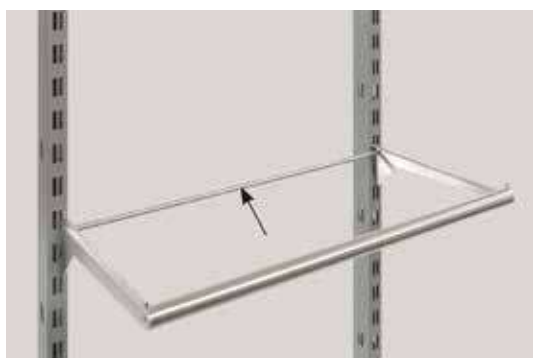
Product **HANGING BRACKET**  
 Version Carrier arm for hanging bracket for shelf. Sold in pairs.  
 Material Brushed stainless steel

Depth	Article
300	75.2.50KT2B25



Product **HANGING BRACKET**  
 Version Tube Ø25 mm complete with clamping sleeves.  
 Material Brushed stainless steel

Sizes	Length	Article
c/c 600	588	75KR25.588
c/c 800	788	75KR25.788



Product **HANGING BRACKET**  
 Version Connection tube Ø10 mm complete with clamping sleeves.  
 Material Brushed stainless steel

Sizes	Length	Article
c/c 600	588	75VR10.588
c/c 800	788	75VR10.788



Product **FITTING ROOM CURTAIN ROD**  
 Version Fitting room curtain rod Ø20 mm including assembly parts for invisible assembly. Length is intermediate size.  
 Material **Brushed stainless steel**

Sizes	Length	Article
Ø20	650	72.2151.21



Product **FITTING ROOM HOOK GLUEABLE**  
 Version Fitting room hook for gluing into wooden panel. Minimum panel thickness is 19 mm. Note: only for light loads.  
 Material **Brushed stainless steel**

Sizes	Length	Article
Ø12/20	30	72.2153.21



Product **FITTING ROOM HOOK SCREWABLE**  
 Version Fitting room hook screwable with disc Ø20 mm. Includes bolt M6 x 35 mm and washer. Suitable for panel thickness of 16 to 22 mm.  
 Material **Brushed stainless steel**

Sizes	Length	Article
Ø12/20	50	72.2155.21